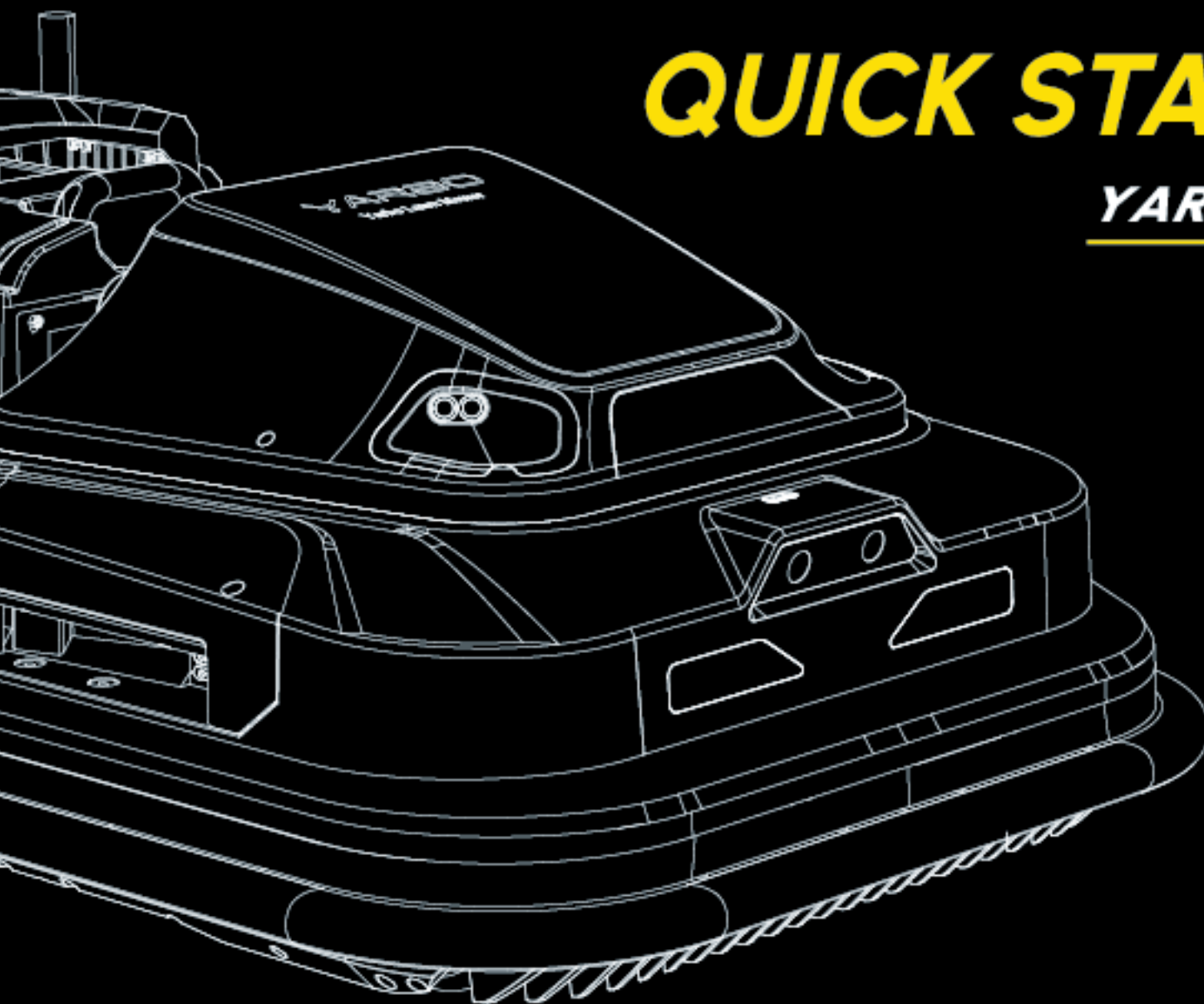


YARBO

QUICK START GUIDE

YARBO LAWN MOWER

2024



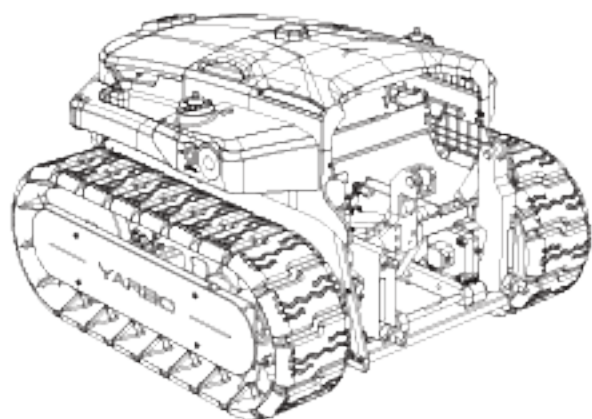
User Manual



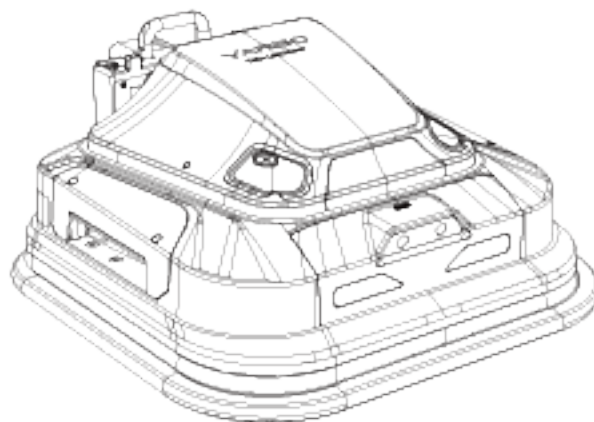
Video Assembly Guide

Assembling Lawn Mower

Step 1: Preparing Accessories and Tools



Yarbo Core



Lawn Mower Module



Battery



HaLow Antenna
for Rover

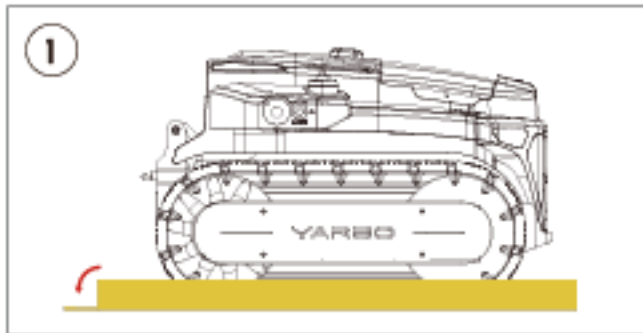


Battery Cover
Wrench

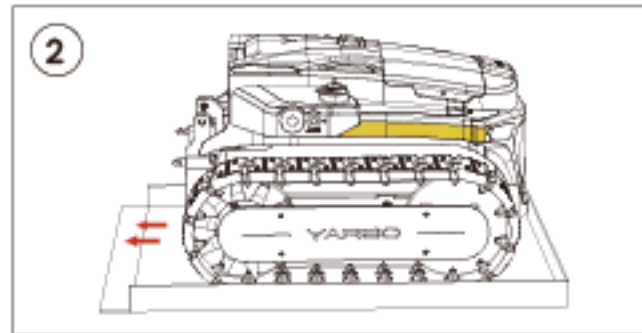


Allen Key #2

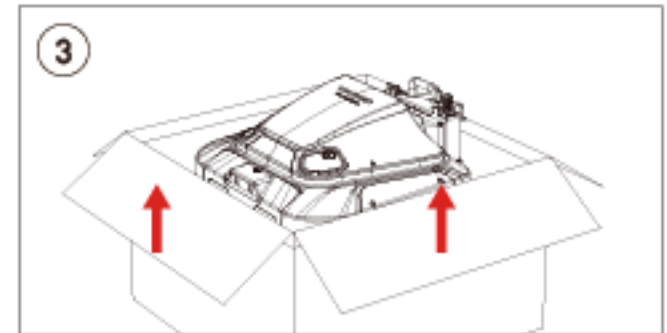
Step 2: Installation Guide



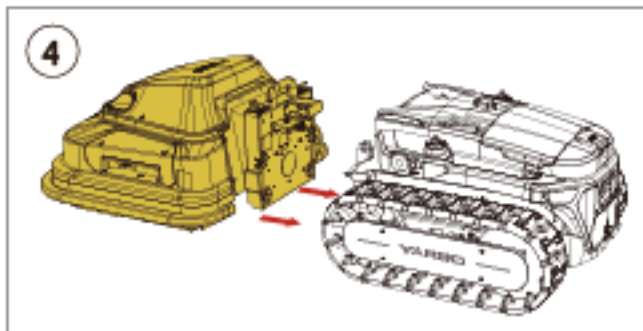
Cut the box along the cutting line on the bottom of the packaging box.



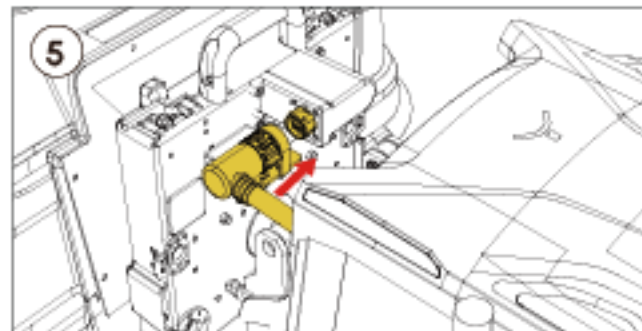
Grasp the lifting handles of the Yarbo Core and **push** the Yarbo Core out from the packaging box.



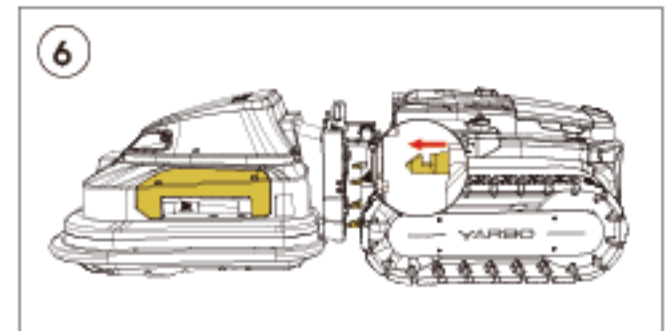
Carefully **lift** the Lawn Mower Module out of the packaging box by grasping the lifting handle.



Pull the Lawn Mower Module close to the Yarbo Core by **grasping** the lifting holder on both sides, ensuring that the two parts are prepared closely enough to connect the cable.

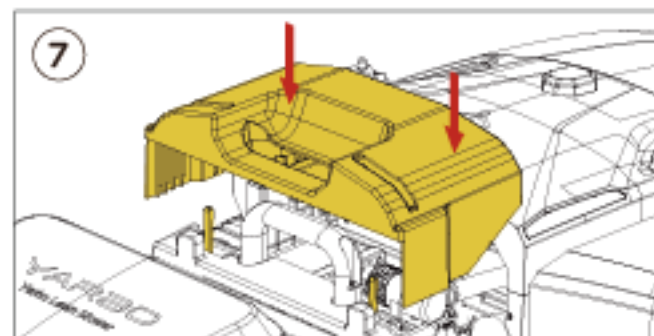


Carefully **insert** the cable into the port on the Lawn Mower Module, ensuring that both are properly aligned and securely connected.

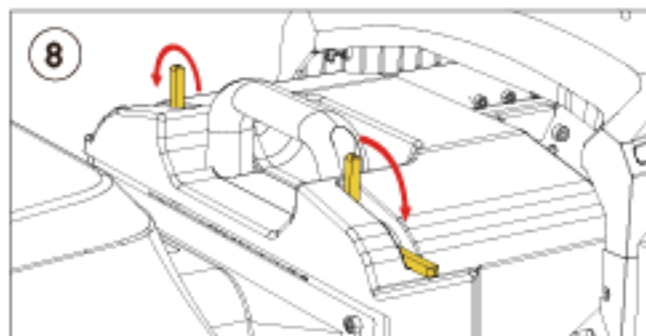


Lift the Lawn Mower Module by **grasping** the holder and **locate** the shafts and holes in the Yarbo Core and Lawn Mower Module. Slightly **push** the Lawn Mower Module towards the Yarbo Core after the proper alignment.

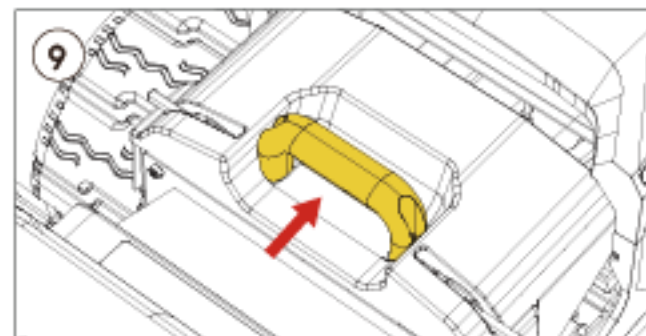
Assembling Lawn Mower



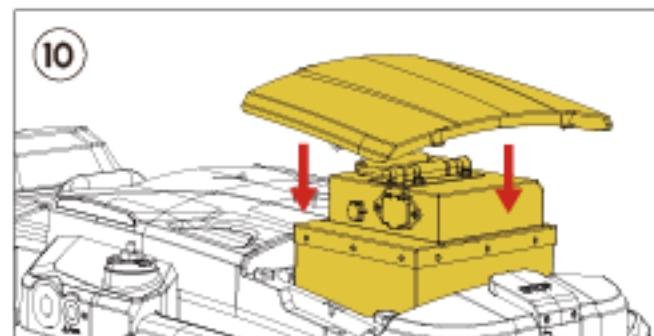
7 **Lift** the two locks on the sides. **Locate** the the Plastic Connector Cover provided and **install** it onto the connection part of Lawn Mower.



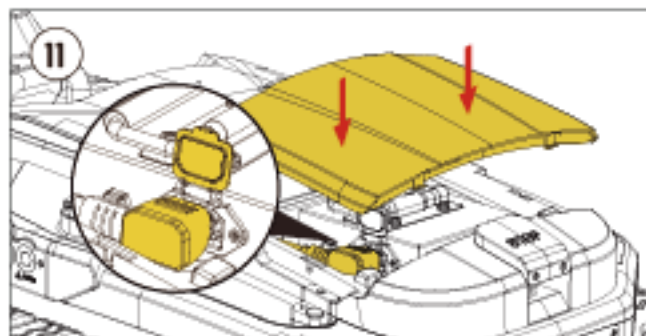
8 **Push** down the two locks on both sides.



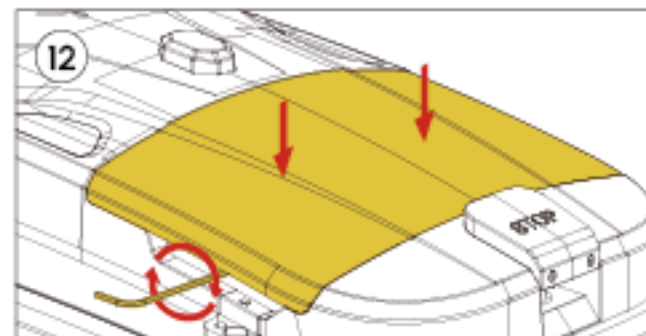
9 **Push** the connection part holder until you hear or feel a click.



10 **Lift** the battery cover and **place** the battery into the battery cabin.

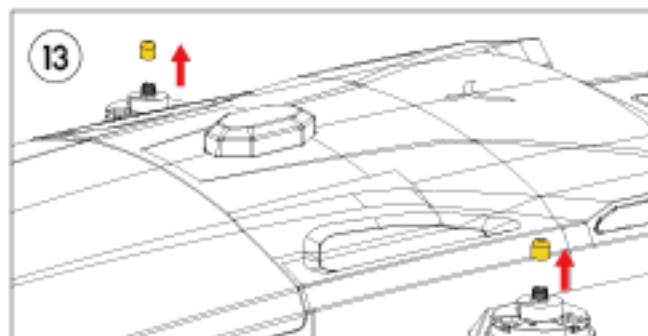


11 **Remove** the cover by grasping both sides with your hands and lifting. Place the battery inside the chamber and **connect** the cable from the Yarbo Core to the battery.

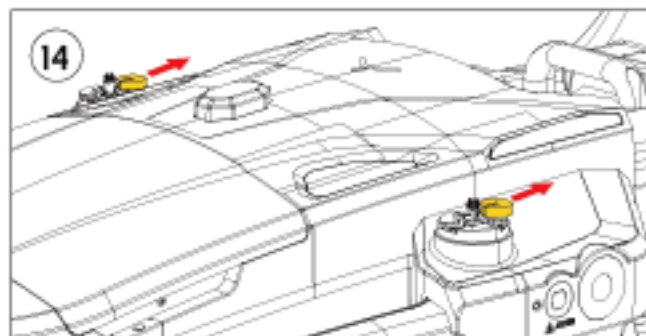


12 **Replace** the cover and **screw** the Anti-theft Bolts on both sides using Battery Cover Wrench provided in the package.

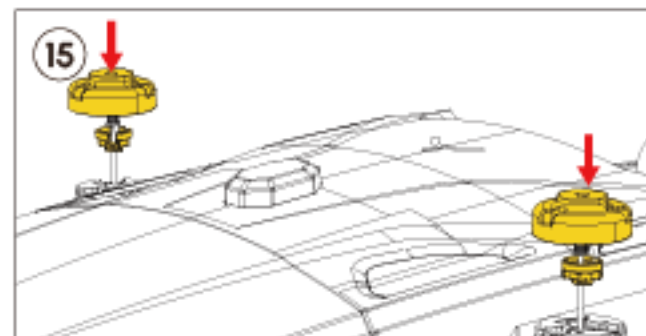
Assembling Lawn Mower



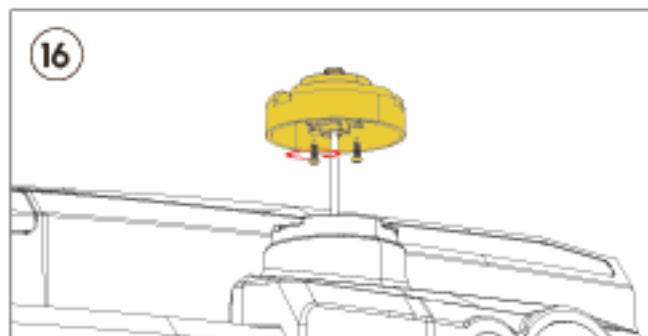
13 **Locate** the red screw caps on the RTK Antenna Mounts and **remove** them.



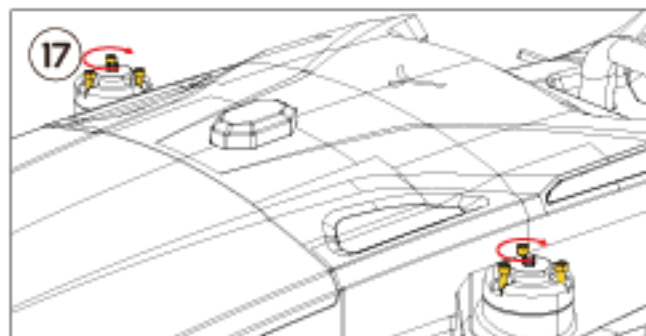
14 **Remove** the rubber rings on the RTK Antenna Mounts.



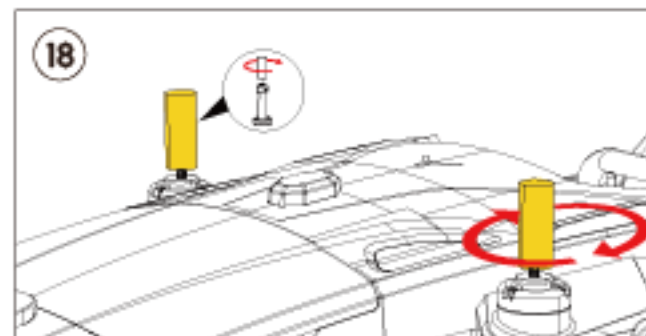
15 **Locate** the Low RTK Antenna Mounts provided in the package. **Insert** the antenna cable into the fitting so the connector is accessible.



16 **Locate** the Low RTK Antenna Mount Connection Bolts and screw the bolts to fasten the connections on both sides.

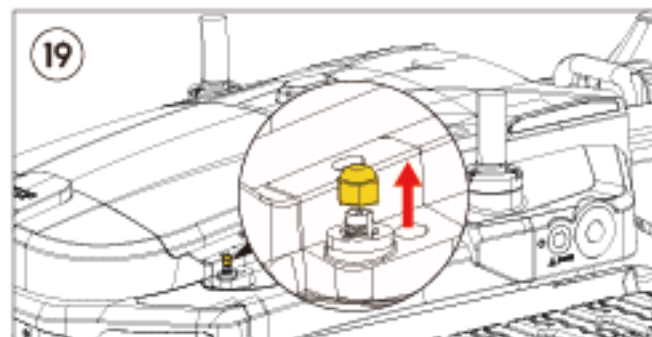


17 **Screw** the three connection bolts on both sides of the Yarbo Core by using Allen Key#2.

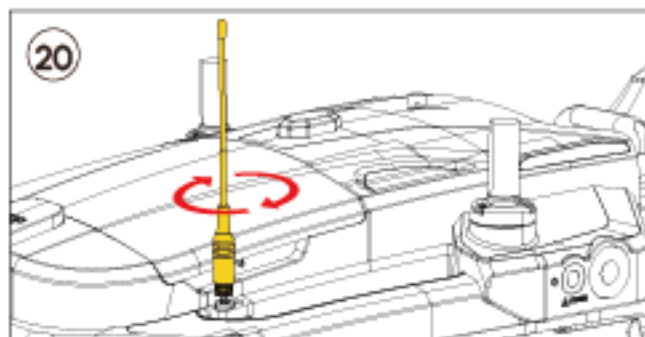


18 **Locate** the Low RTK Antennas and screw them on the RTK Antenna Mounts.

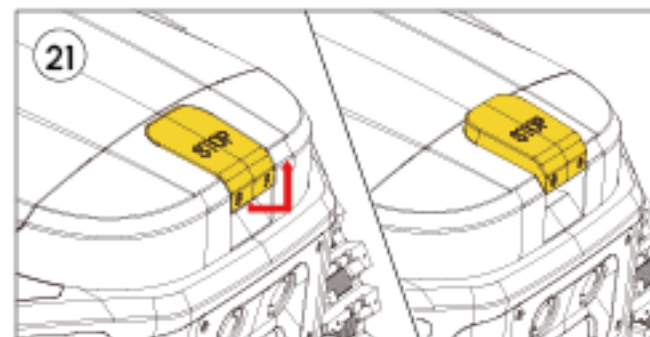
Assembling Lawn Mower



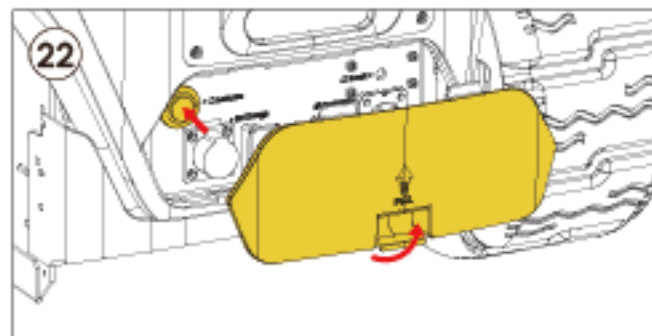
Remove the white screw cap on the HaLow Antenna Mount. Keep the black rubber ring in for waterproofing.



Locate the HaLow Antenna and screw the antenna into the HaLow Antenna Mount until hand tight.



Lift the Emergency Stop Button.



Remove the rear cover. **Press** power button to turn on Yarbo. **Place** back the rear cover.

OPTIONAL REPLACEMENT

- Track Side Plates replacement is recommended for better protection especially in winter. If required, please locate the Track Side Plates in the Smart Assist Module Box and replace them using Allen Key #3.



Step 3: Installing Yarbo App

The Yarbo App is a professional application that empowers you to manage and control your Yarbo any-time, anywhere, elevating your lawm mowing experience to new heights. With its impressive features, you can easily set up work schedules, define multiple working areas and no-go zones, and monitor Yarbo's operating status. Additionally, you can receive the latest firmware updates and access instruction manuals, video tutorials, FAQs, and more through the App.

Follow these simple steps to install and set up the Yarbo App:

- ① Download the Yarbo App by scanning the QR code below or searching on the app store.
- ② After installation, log in to your Yarbo account. If you don't have one, please register.
- ③ Follow the steps of the first-time user guide on the app. If there are few steps that are hard to understand.

***Note:** Once a device is associated with a Yarbo account, it cannot be linked to a new account. However, you can invite others to use your Yarbo through Yarbo Sharing in the app.

iOS



Android



Installing the Data Center

Step4: Installing the Data Center

Method 1 Roof and Wall Installation (Recommended)

Make sure there's a clear view of the sky with at least 120 degrees of unobstructed view. The higher you can mount the Data Center, the more stable the RTK signal will be.

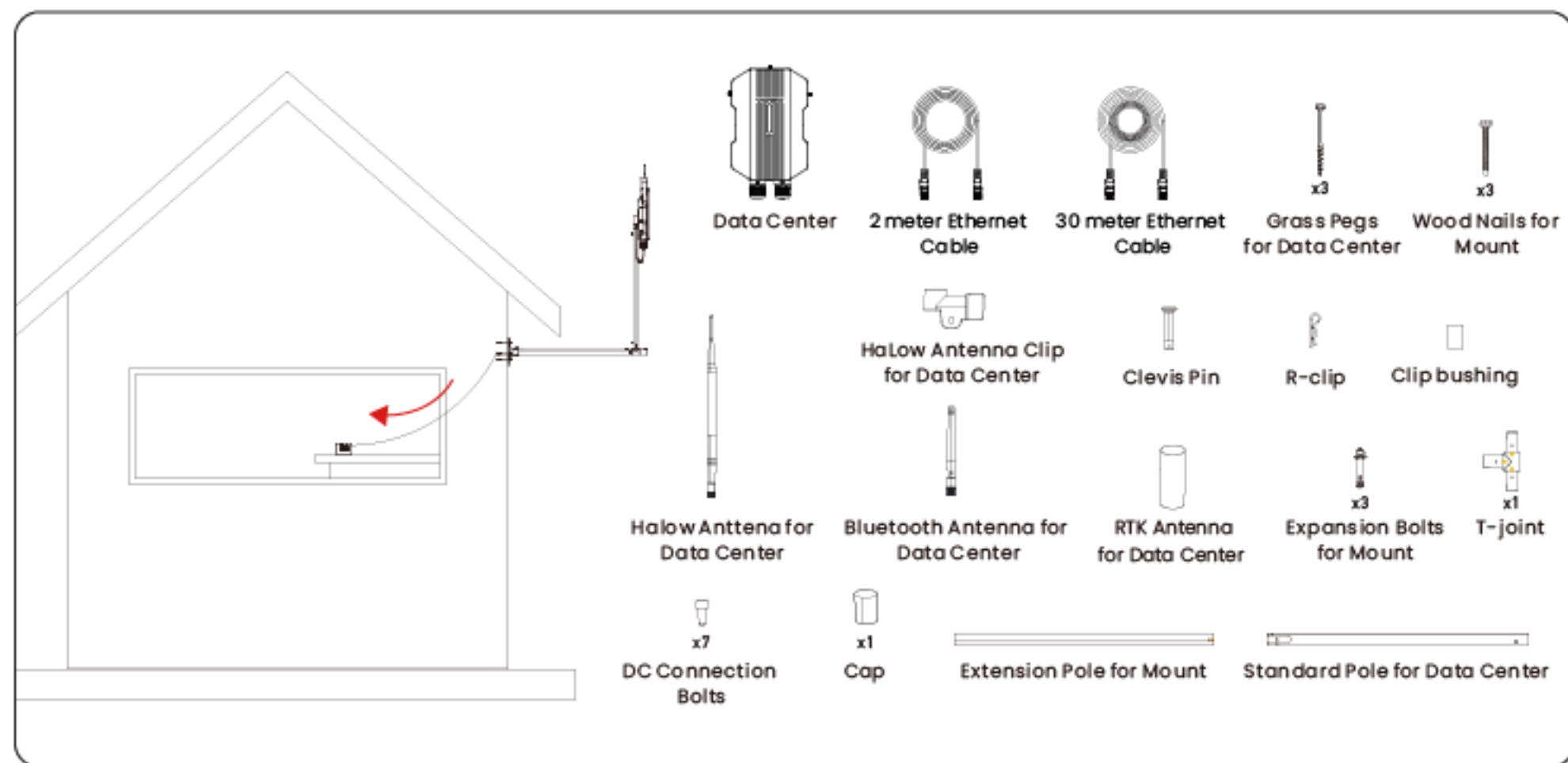


Method 2 Ground Installation

Make sure there's a clear view of the sky with at least 120 degree of unobstructed view.



Installation Preparation

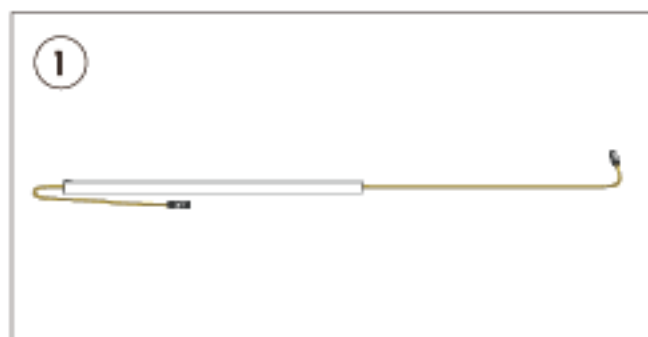


Data Center Installation

Data Center Installation

 NOTICE

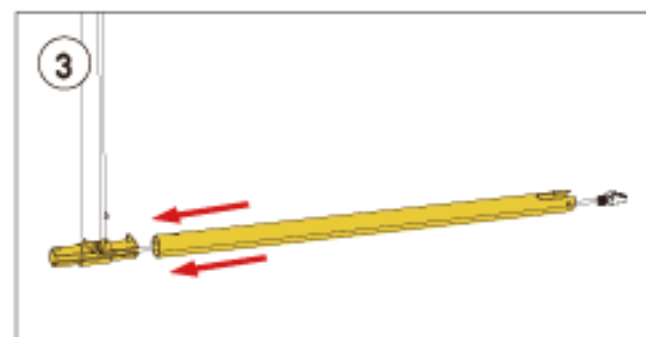
- Please make sure that the place you choose for installation has a clear of the sky with at least 120 degree of unobstructed space.



Locate the 30m Ethernet Cable and extension pole provided in the Yarbo Core box. **Thread** the Ethernet cable through the extension pole.

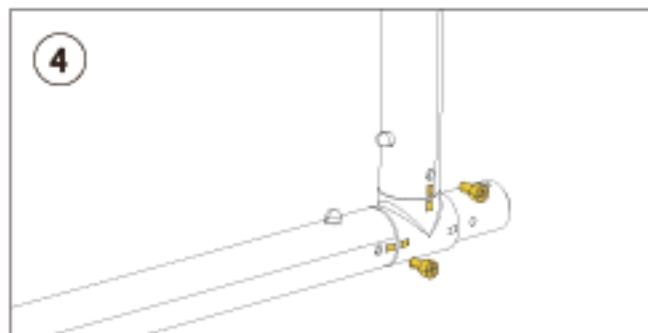


Press the cable into the crevice of the T-joint as shown in the picture. **Connect** the Extension Pole to the T-joint by pressing the round button on the T-joint and aligning this button with the hole in the Extension Pole.

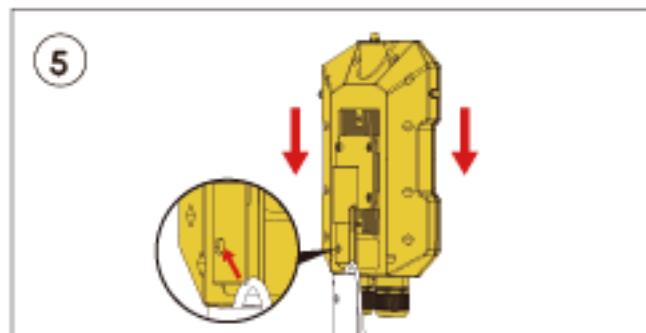


Press the round button on the T-joint and **align** it with the hole in the Standard Pole to connect two parts and secure the connection.

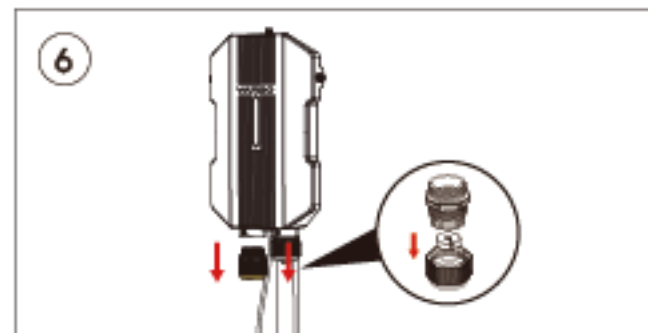
Data Center Installation



Screw the two Connection Bolts into the holes provided to stabilize the T-joint, Standard Pole and Extension Pole.



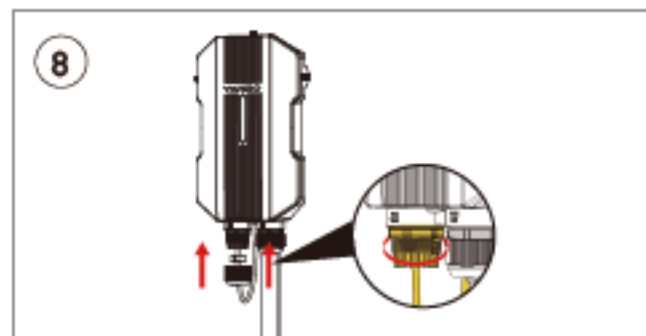
Connect the Data Center to the Extension pole (press the small button on the Data Center and align this button with the hole in the pole). **Pull out** a small section of the cable to ensure it can be reached and connected to the Ethernet POE WAN port.



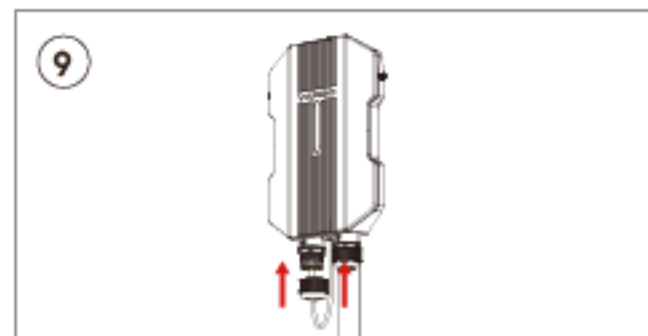
Carefully unscrew the entire gland set on the WAN port of the Data Center. **Remove** the gland cover and **push out** the black rubber plug.



Thread the Ethernet Cable through the gland and its cover. **Locate** the opening of the black rubber plug and **snap** it onto the Ethernet Cable.

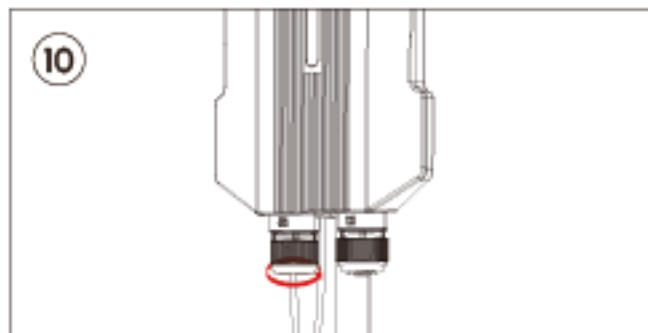


Connect the Ethernet Cable to the WAN port and **tighten** the gland by screwing it in.

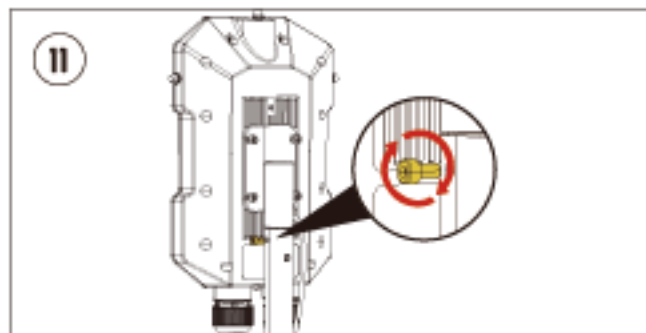


Push the black rubber plug into the gland.

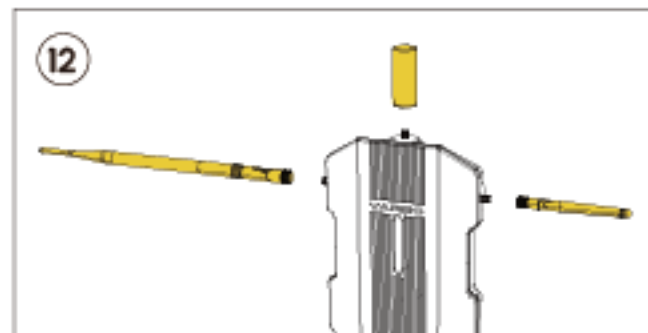
Data Center Installation



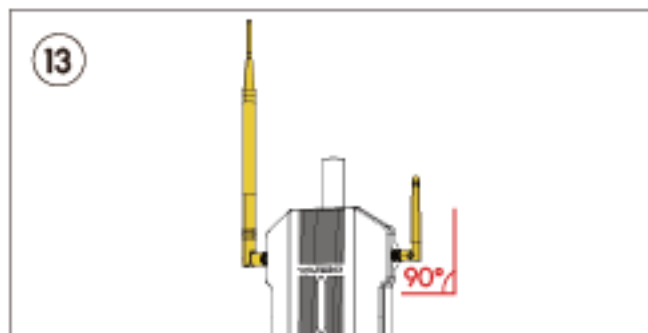
Screw and **tighten** the cover of the gland.



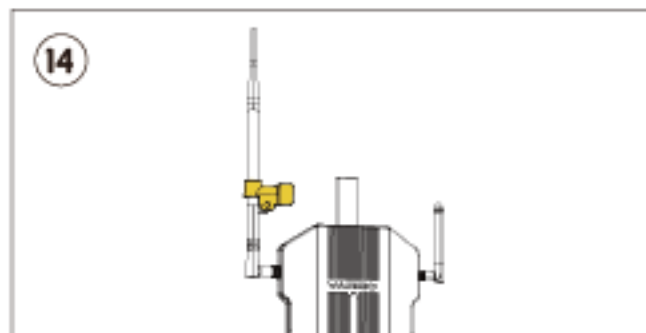
Screw in the connection bolt to fasten the Data Center to the Extension Pole.



Locate the three antennas provided in the Yarbo Core box and attach them as shown and securely **tighten** them.



Position the HaLow Antenna and Bluetooth Antennas at a 90-degree angle, directing them upwards towards the sky.

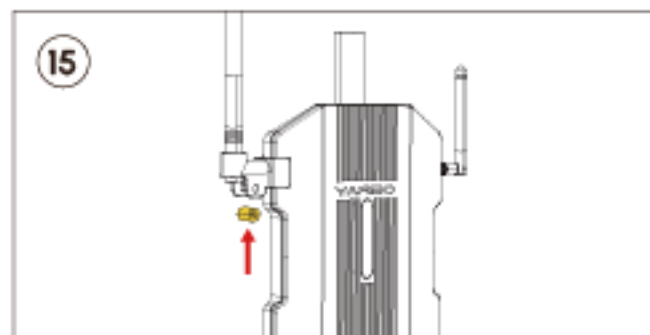


Locate the HaLow Antenna Clip and **slide** it over the HaLow Antenna.

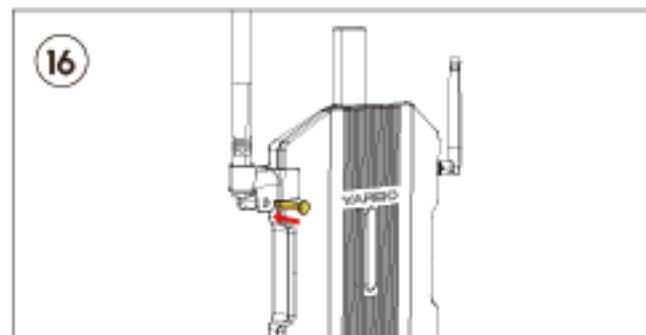
NOTICE

- If it is impossible to drill through the wall or other hard material, the cable can be dragged out from the side of the mount.

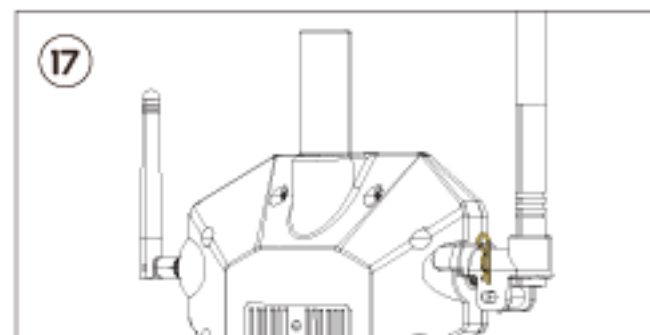
Data Center Installation



15 **Move** the HaLow Antenna Clips to the bottom of the HaLow Antenna and **snap** the Data Center. Then insert the Clip bushing.



16 **Tighten** the Clevis Pin to ensure that the antenna is secure.



17 **Pass** the R-clip through the hole in the Clevis Pin past the first bend to insure the Clevis Pin is secure.

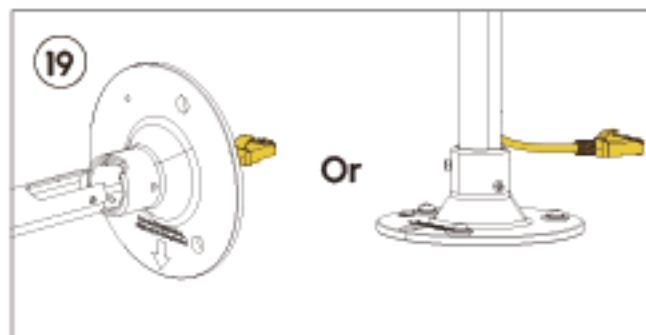
If you are threading the cat5 cable through the pole you will need to mark the position of the center hole in the mounting base and drill a $\frac{3}{8}$ inch or 19mm hole to insert the cat5 cable through.

Wooden surface	Predrill the three outer holes using a $\frac{3}{8}$ inch or 6mm drill for the wood screws used to mount the base.
Cement, brick, mortar	Predrill the three outer holes using a $\frac{2}{5}$ inch or 10mm drill for the anchor bolts used to mount the base.
Lawn	Anchor the base using three lawn screws using the lawn screw driver bit included.

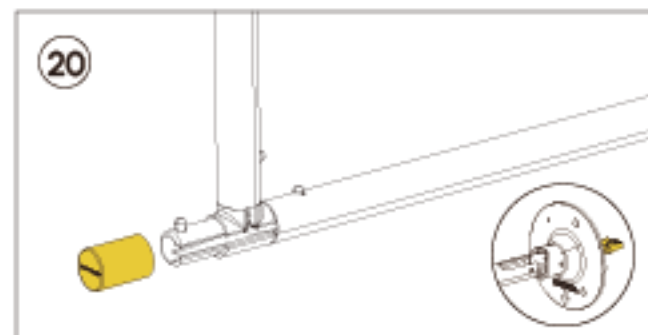
Ethernet Cable Connection



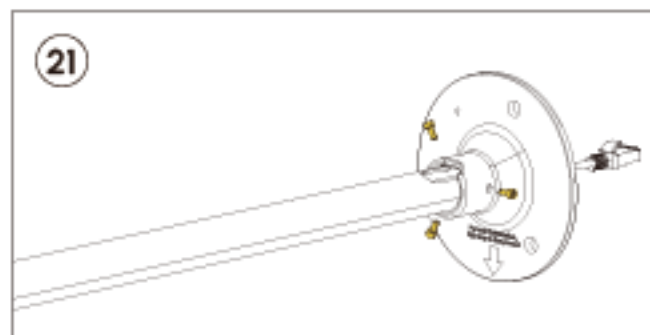
Position the mount at the chosen installation site and follow the proper instructions (**BELOW**) for the surface you are mounting the base too.



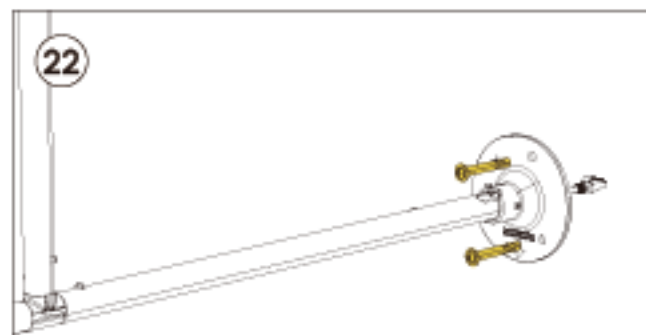
Thread the Ethernet Cable through the middle hole of the mount, or **pull out** the Ethernet Cable through the opening or gap in the pole carefully.



Attach the cap securely to the side of the T-joint.



Screw in three Connection Bolts for Pole to stabilize the mount and Standard Pole.

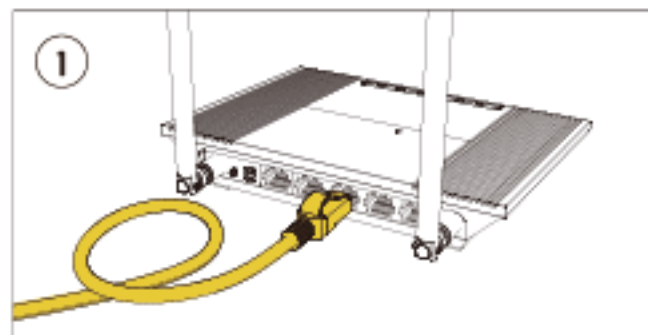


Secure the mount by fastening the three Connection Bolts (**As described above-**) needed for your installation surface.

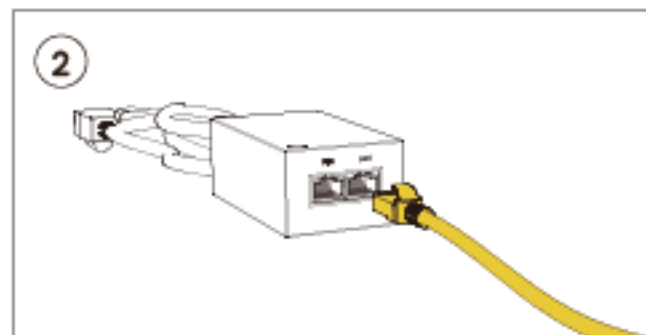
WARNING

- When installing the Data Center Set on the roof, exercise extreme caution. Ensure compliance with local regulations regarding working at heights and always use appropriate safety equipment.

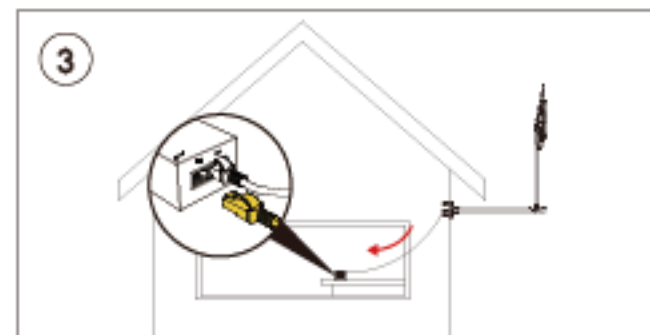
Data Center Installation



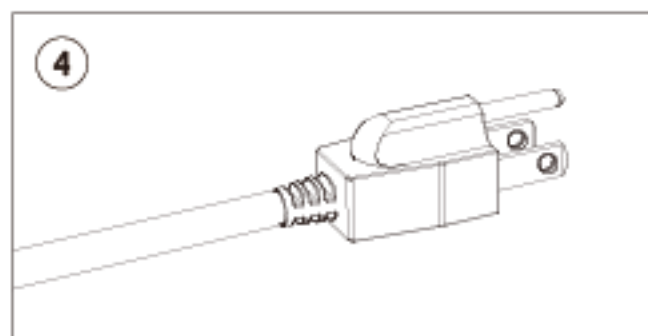
1 **Locate** the 2-meter long Ethernet Cable and the POE power adapter provided in the Yarbo Core Box, and **connect** one end of the Ethernet Cable to the LAN port on the router.



2 **Connect** the other side of the Ethernet cable to the LAN port of POE power adapter.







3 **Pull out** the 30-meter Ethernet Cable that has been fed in from the Data Center setup. Connect one end to the POE port of the POE power adapter. The other end should already be connected to the WAN port of the Data Center.



4 **Connect** the power cord to the POE adapter and insert the plug of the power cord into an electrical outlet.

Data Center Installation

Data Center Signal Lights

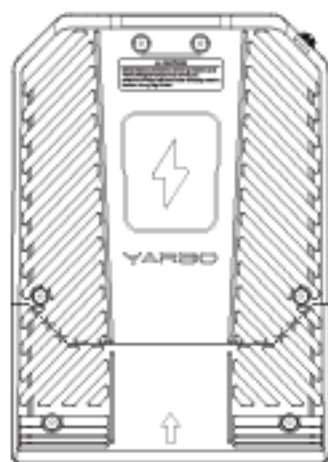
LED Indicator	Status	Description	Action
 Solid Green	Normal	1. Normal RTK Signal 2. Normal Internet Connection	/
 Flashing Red	RTK Signal abnormal	1. No RTK Signal	Check cable connection is correct, inspect if RTK antenna is broken or loose
 Flashing Blue	Pairing mode	1. Pairing mode activated	/
 Solid Blue	Pairing successful	1. Pairing is successful	/

Step5: Physical Controller Instruction



Step 6: Docking Station Installation Guide

Preparing Necessary Parts and Tools



Docking Station Charging Unit



x12

Grass Pegs
for Docking Station

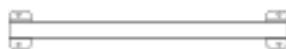


x12

Expansion Bolts
for Docking Station



Power Cable for
Docking Station



Long Cable Ramp

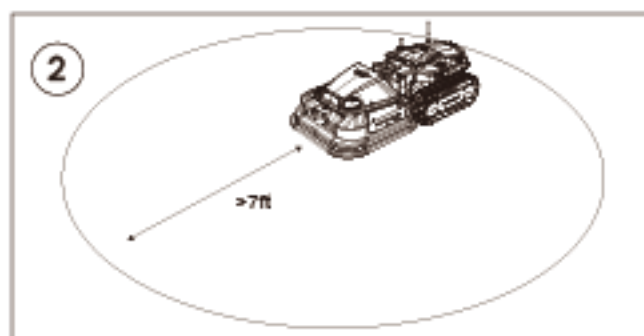


Short Cable Ramp

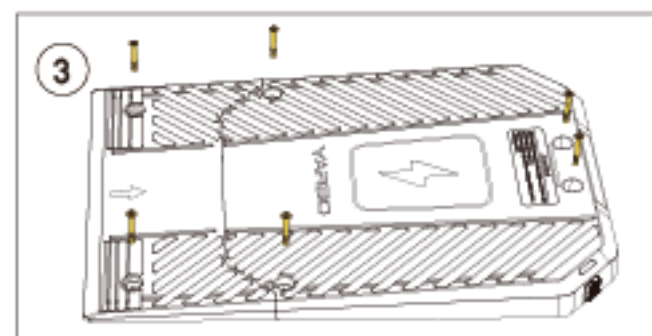
Installing the Docking Station



Ensure the installation location for the Docking Station has at least **7 feet** of clearance in all directions. Before proceeding, make sure you have already initialized Yarbo using the Yarbo App.



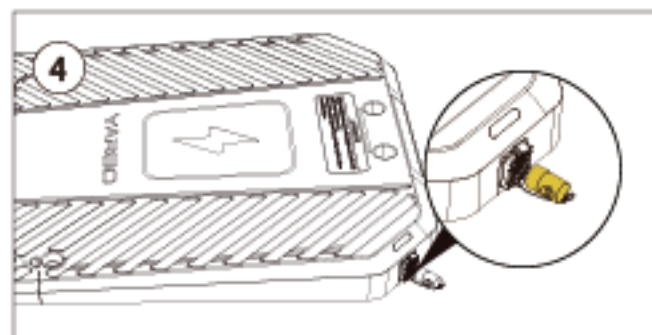
Drive Yarbo to the desired location for the Docking Station to test if there is strong GPS signal. Once Yarbo reaches a position with a strong GPS and network connection, the app will notify you.



Place the Docking Station in the desired location. Secure the Docking Station by suitable methods. For soil/grass surface, use grass pegs. For concrete/brick surfaces, use expansion bolts. Grass pegs and expansion bolts are provided in the package.

Installing the Docking Station

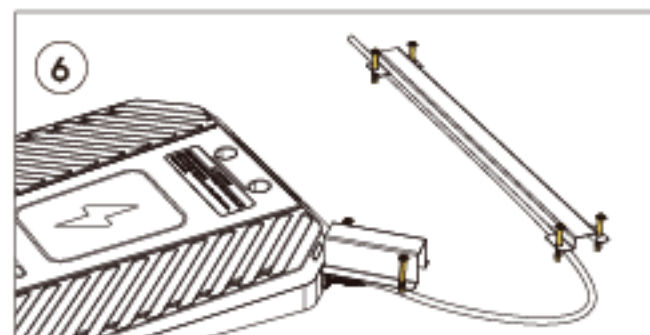
Installing the Docking Station



Press the snap and **remove** the cover.



Connect the Power Cable to the port in the docking station.



Place the Short Cable Ramp near the port and the Long Cable Ramp on the Power Cable. **Secure** the Cable Ramp by suitable methods.

NOTICE

- For safety protection, please correctly install the cable ramps and thoroughly inspect their stability, ensuring that there is no excessive compression or twisting between cable ramps and cables.
- Grass Pegs are recommended for soil or grass surface, and Expansion Bolts are recommended for concrete or brick surface.

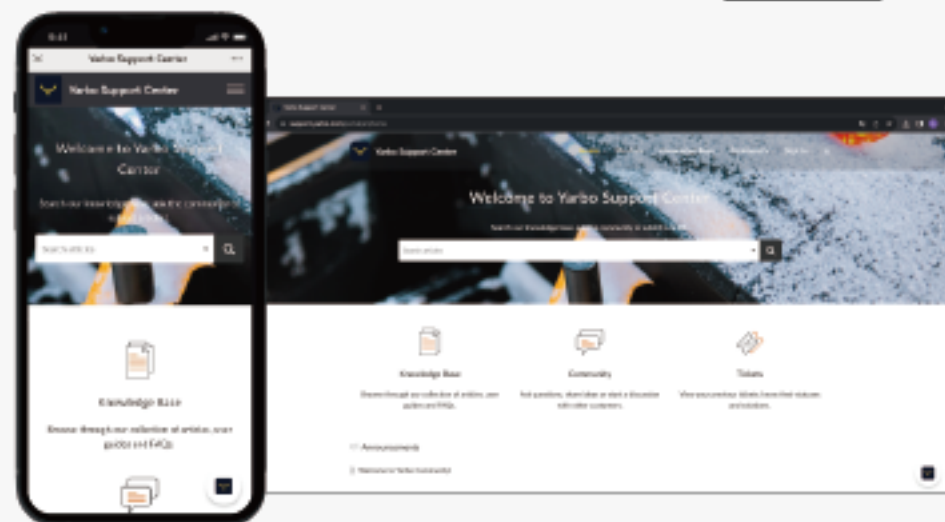
Support Center



Yarbo Video Tutorials



Visit the Yarbo Support Center for FAQ articles, the latest user manual, community interaction, and to create and monitor service tickets.



YARBO INC.

www.yarbo.com




Refer to Friends
& Get Rewards



Share Your
Yarbo Journey



Join Yarbo
Exclusive Community

 +1 (888)550-6809

 support@yarbo.com

 1951 Ocean Avenue, Unit 3, Ronkonkoma, NY 11779 United States

V 1.6