

3. Setup Guide

3.1 Installing Yarbo App

The Yarbo App is a professional application that empowers you to manage and control your Yarbo anytime, anywhere, elevating your snow cleaning experience to new heights. With its impressive features, you can easily set up work schedules, define multiple working areas and no-go zones, and monitor Yarbo's operating status. Additionally, you can receive the latest firmware updates and access instruction manuals, video tutorials, FAQs, and more through the App.

Follow these simple steps to install and set up the Yarbo App:

- ① Download the Yarbo App by scanning the QR code below or searching on the app store.
- ② After installation, log in to your Yarbo account. If you don't have one, please register.
- ③ Follow the steps of the first-time user guide on the app. If there are few steps that are hard to understand, please refer to the app section of this user manual.

*Note: Once a device is associated with a Yarbo account, it cannot be linked to a new account. However, you can invite others to use your Yarbo through Yarbo Sharing in the app.

iOS



Android

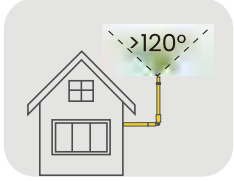


3. Setup Guide

3.2 Installing Data Center


Method 1 **Roof and Wall Installation(Recommended)**

Make sure there's a clear view of the sky with at least 120 degree of unobstructed space. The reason we recommend this method is that the higher the Data Center is placed, the more stable RTK signal it will receive.



Method 2 **Ground Installation**

Make sure there's a clear view of the sky with at least 120 degree of unobstructed space.



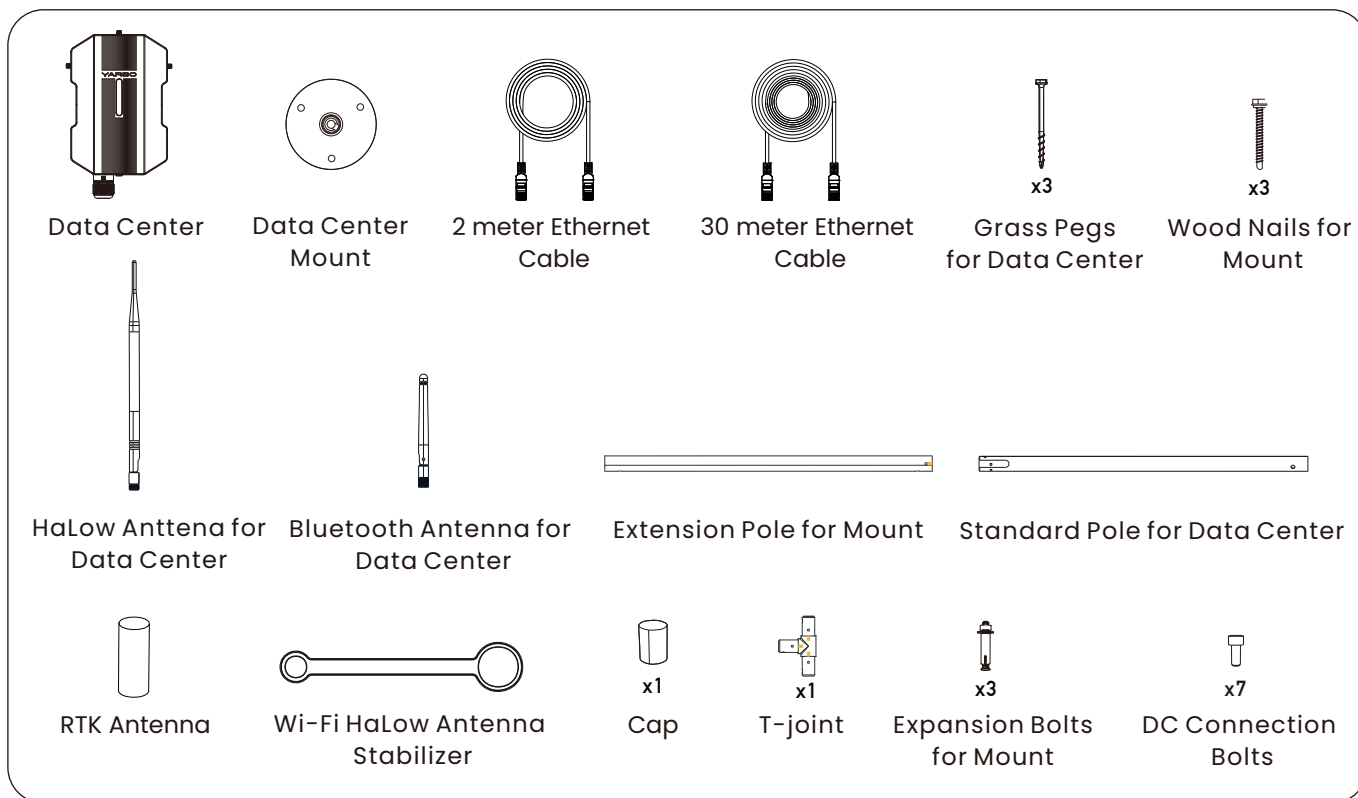
⚠ CAUTION

- Please read through all the following installation methods, and make sure you understand how to use required tools before installation.

⚠ NOTICE

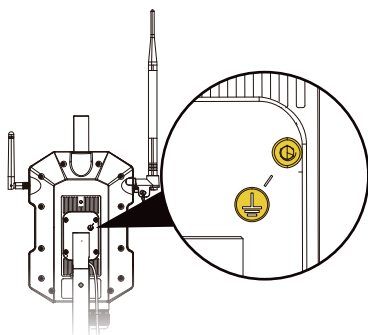
- The most important thing for installing the Data Center Set is to ensure that the Data Center have a 120° unobstructed view of the sky. Please choose the most suitable method for your home. Additionally, the Data Center requires a wired network connection (A 30-metre-long Ethernet cable is provided), so it is necessary to find a location where the Data Center is not too far from the router in your house and has a 120° unobstructed view of the sky.

3.2.1 Installation Preparation



WARNING

- Given the recommendation to install the Data Center at the top of a house, it is crucial to implement comprehensive lightning protection measures to safeguard against potential damage caused by lightning strikes. In areas where lightning activity is frequent, the risk of such damage increases significantly. We strongly advise those residing in high-lightning-activity regions to buy a grounding cable. This critical component allows for the safe dissipation of excess electrical current into the earth, minimizing the risk of Data Center damage.



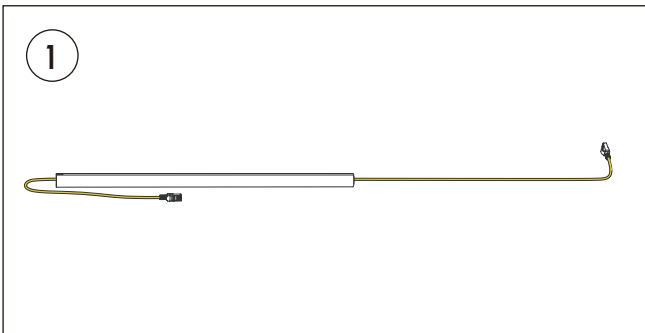
3. Setup Guide

3.2.2 Data Center Installation

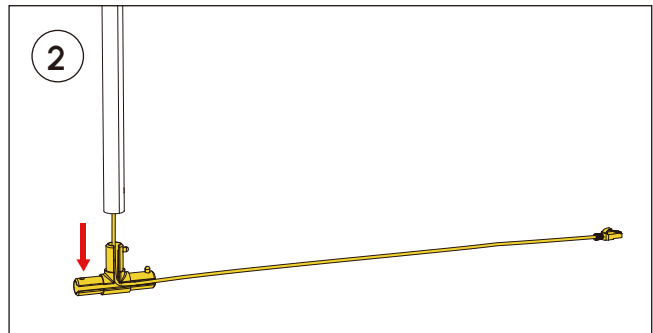
NOTICE

■ Please make sure that the place you choose for insatallation has a clear of the sky with at least 120 degree of unobstructed space.

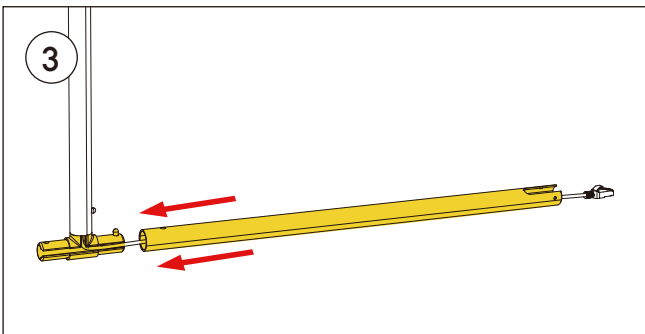
Method 1 Roof and Wall Installation



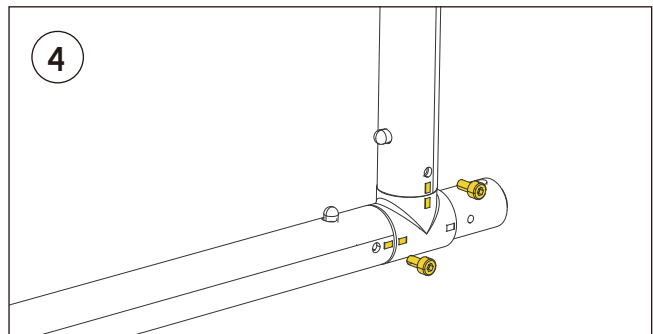
Locate the 30m Ethernet Cable and extension pole provided in the Yarbo Core box. **Thread** the Ethernet cable through the extension pole.



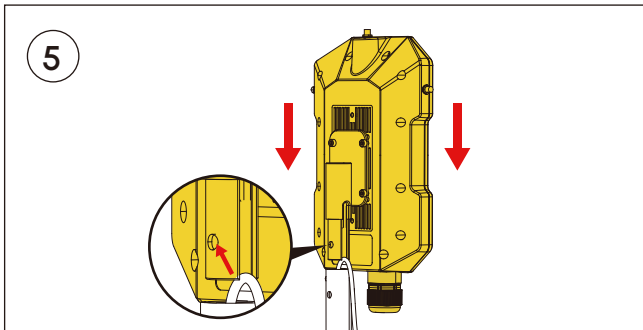
Press the cable into the crevice of the T-joint as shown in the picture. **Connect** the Extension Pole to the T-joint by pressing the round button on the T-joint and aligning this button with the hole in the Extension Pole.



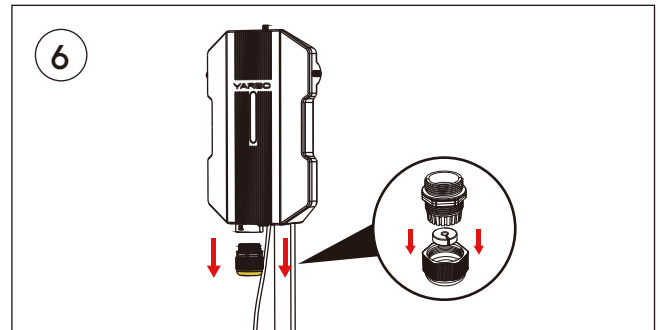
Press the round button on the T-joint and **align** it with the hole in the Standard Pole to connect two parts and secure the connection.



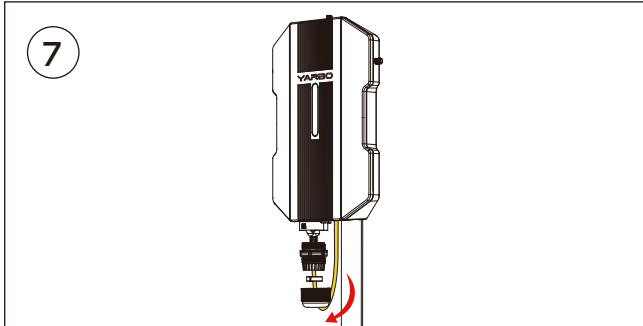
Screw the two Connection Bolts into the holes provided to stabilize the T-joint, Standard Pole and Extension Pole.



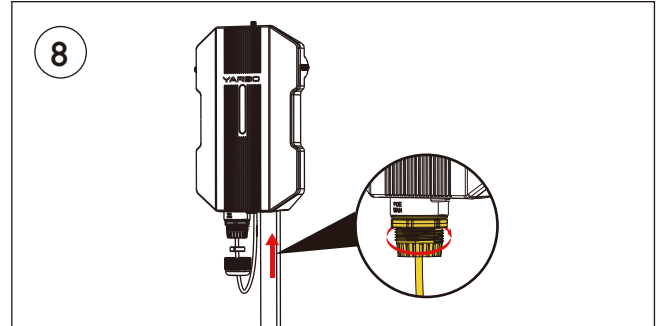
Connect the Data Center to the Extension pole (press the small button on the Data Center and align this button with the hole in the pole). **Pull out** a small section of the cable to ensure it can be reached and connected to the Ethernet POE WAN port.



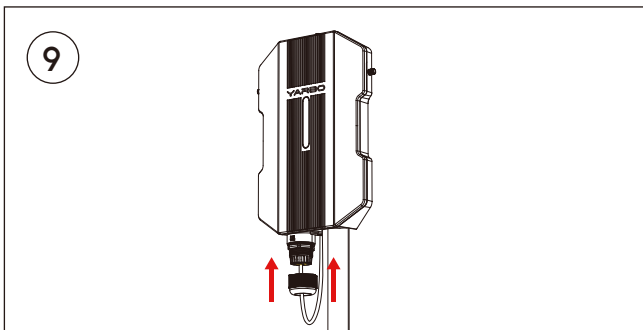
Carefully **unscrew** the entire gland set on the WAN port of the Data Center. **Remove** the gland cover and **push out** the black rubber plug.



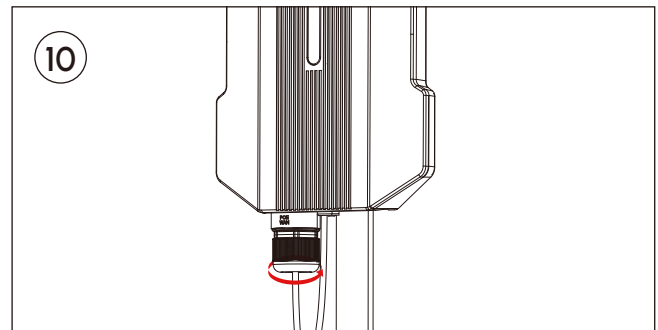
Thread the Ethernet Cable through the gland and its cover. **Locate** the opening of the black rubber plug and **snap** it onto the Ethernet Cable.



Connect the Ethernet Cable to the WAN port and **tighten** the gland by screwing it in.

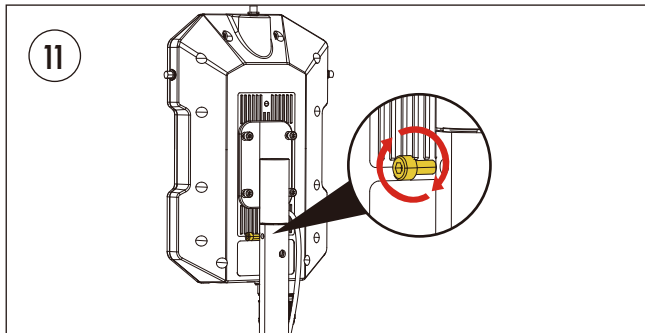


Push the black rubber plug into the gland.

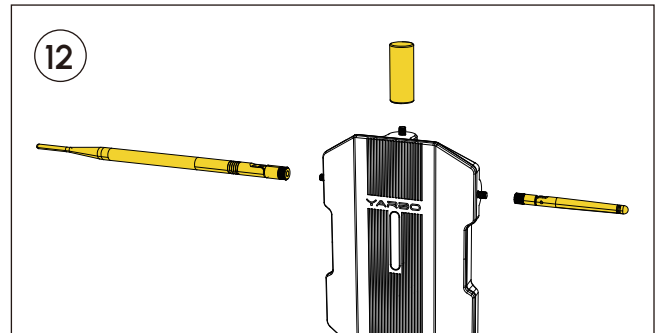


Screw and tighten the cover of the gland.

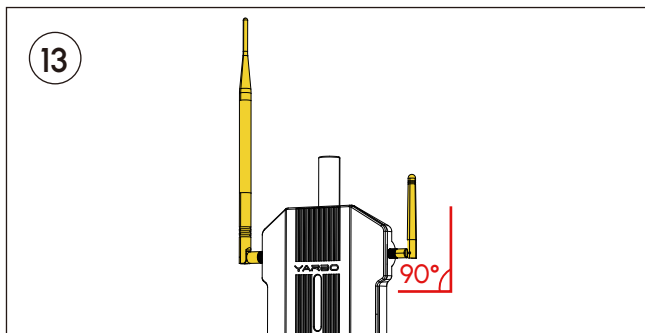
3. Setup Guide



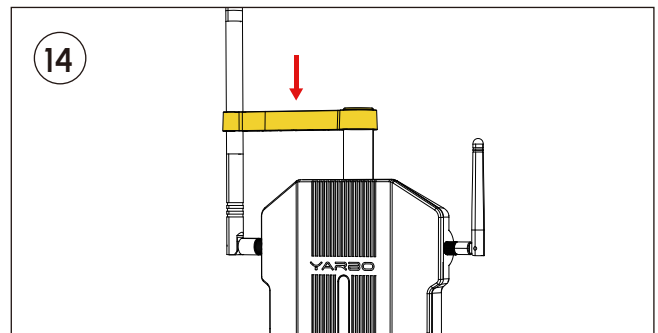
Screw in the connection bolt to fasten the Data Center to the Extension Pole.



Locate the three antennas provided in the Yarbo Core box and attach them as shown and securely **tighten** them.



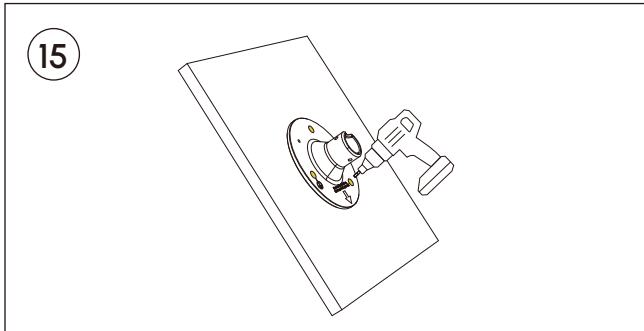
Position the HaLow Antenna and Bluetooth Antennas at a 90-degree angle, directing them upwards towards the sky.



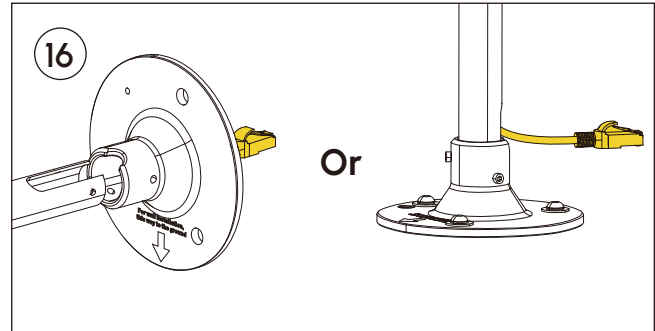
Locate the Wi-Fi HaLow Antenna Stabilizer and **slide** it over both the HaLow Antenna and the RTK Antenna to **secure** them in place.

 **NOTICE**

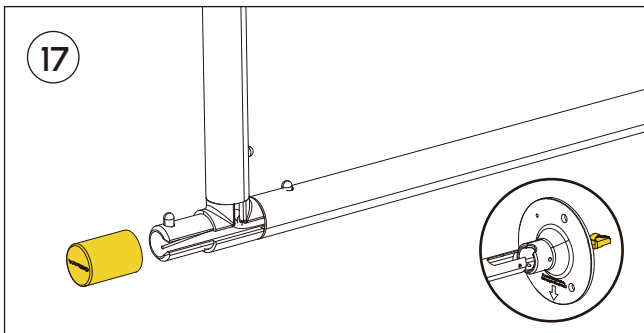
- If it is impossible to drill through the wall or other hard material, the cable can be dragged out from the side of the mount.



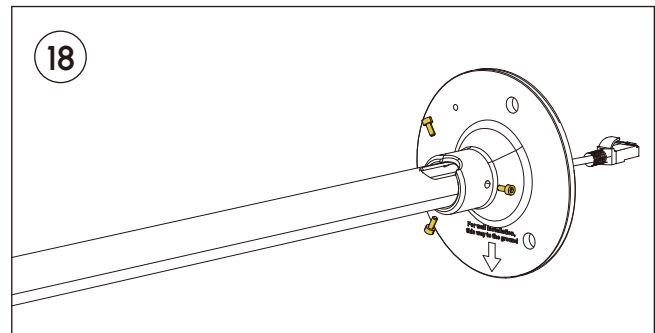
Position the mount at the chosen installation site and follow the proper instructions (**BELOW**) for the surface you are mounting the base to.



Thread the Ethernet Cable through the middle hole of the mount, or **pull out** the Ethernet Cable through the opening or gap in the pole carefully.



Attach the cap securely to the side of the T-joint.

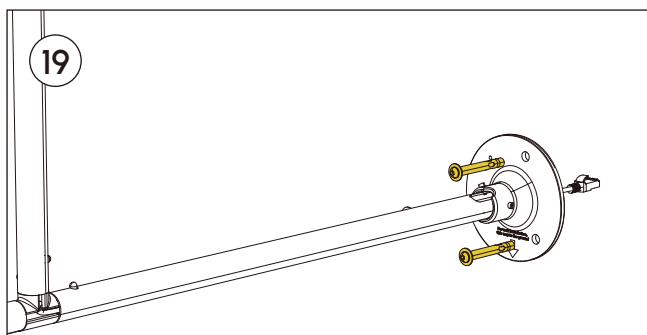


Screw in three Connection Bolts for Pole to stabilize the mount and Standard Pole.

If you are threading the cat5 cable through the pole you will need to mark the position of the center hole in the mounting base and drill a 3/4 inch or 19mm hole to insert the cat5 cable through.

Wooden surface	Predrill the three outer holes using a 3/4 inch or 6mm drill for the wood screws used to mount the base.
Cement, brick, mortar	Predrill the three outer holes using a 2/5 inch or 10mm drill for the anchor bolts used to mount the base.
Lawn	Anchor the base using three lawn screws using the lawn screw driver bit included.

3. Setup Guide



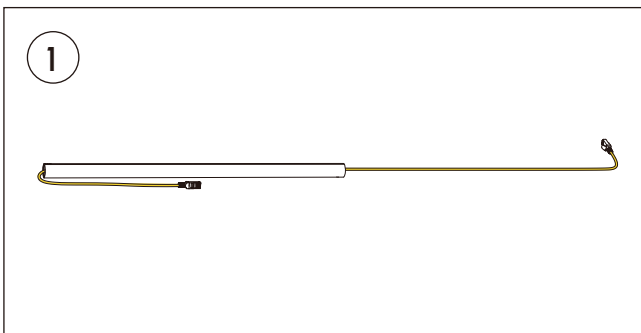
Secure the mount by fastening the three Connection Bolts (**As described above**) needed for your installation surface.

WARNING

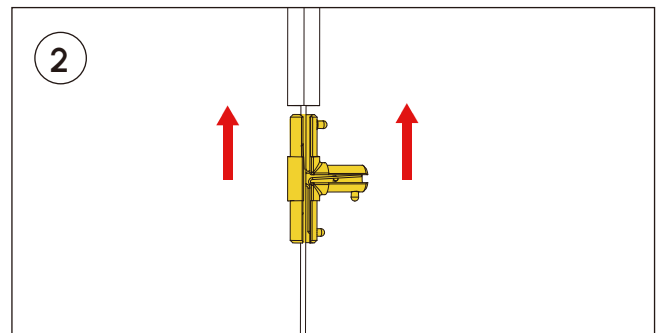
- When installing the Data Center Set on the roof, exercise extreme caution. Ensure compliance with local regulations regarding working at heights and always use appropriate safety equipment.

 **NOTICE**

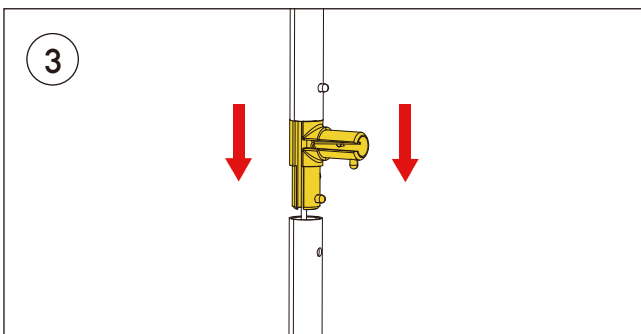
- Please make sure that the place you choose for insatallation has a clear of the sky with at least 120 degree of unobstructed space.

Method 2 **Ground Installation**


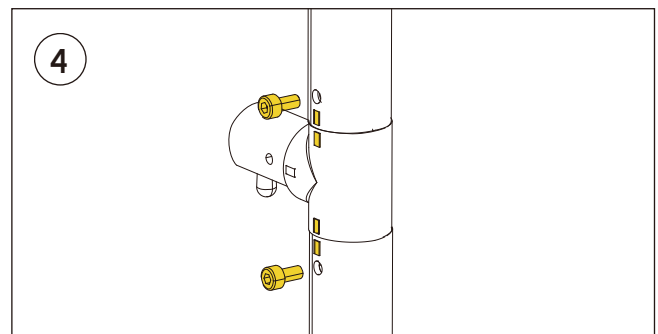
Locate the Ethernet Cable and extension pole provided in the Yarbo Core box.
Thread the Ethernet Cable through the Extension Pole.



Press the cable into the crevice of the T-joint as shown in the picture.
Connect the Extension Pole to the T-joint by pressing the round button on the T-joint and aligning this button with the hole in the Extension Pole.

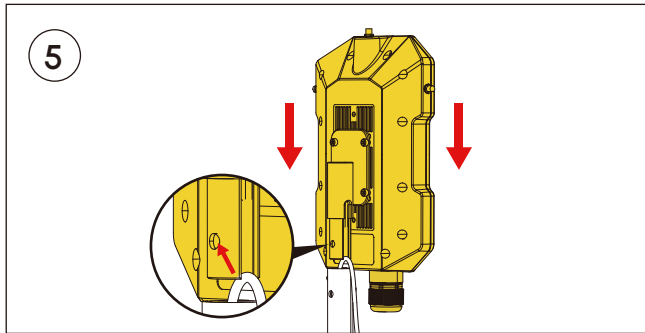


Press the round button on the T-joint and **align** it with the hole in the Standard Pole to connect two parts and secure the connection.

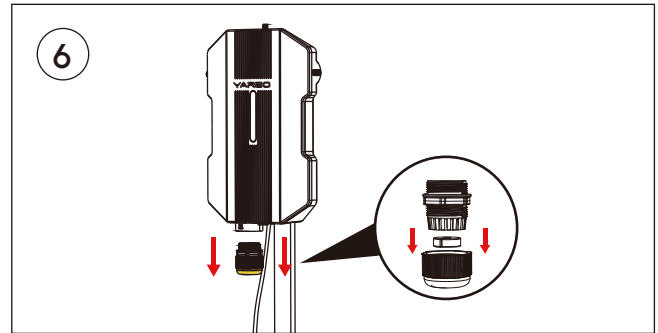


Screw the two Connection Bolts into the holes provided to stabilize the T-joint, Standard Pole and Extension Pole.

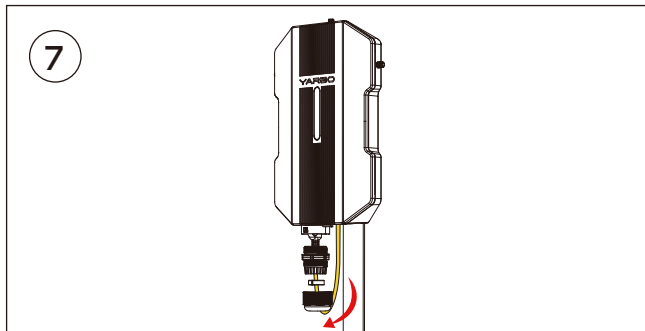
3. Setup Guide



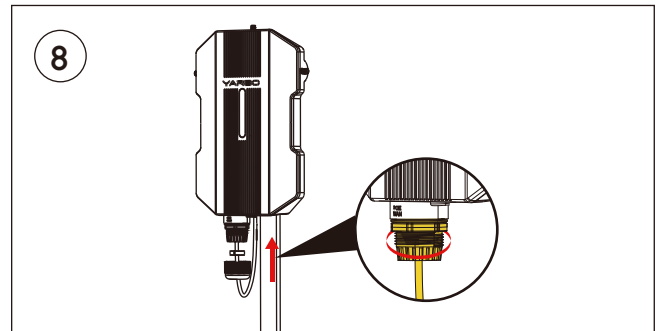
Connect the Data Center to the Extension pole (press the small button on the Data Center and align this button with the hole in the pole). **Pull out** a small section of the cable to ensure it can be reached and connected to the Ethernet POE WAN port.



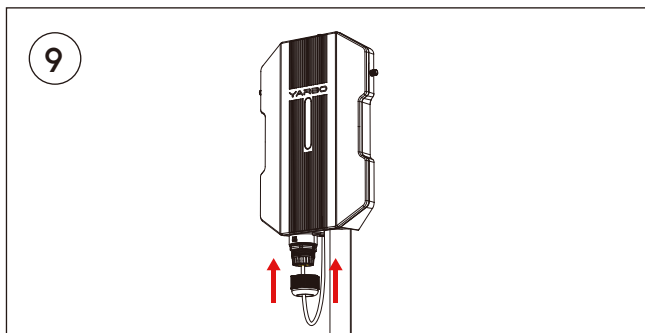
Carefully **unscrew** the entire gland set located on the WAN port of the Data Center. **Remove** the gland cover and **push out** the black rubber plug.



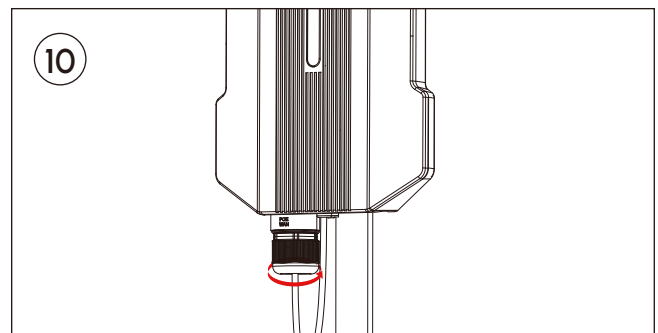
Thread the Ethernet Cable through the gland and its cover. **Locate** the opening of the black rubber plug and **snap** it onto the Ethernet Cable.



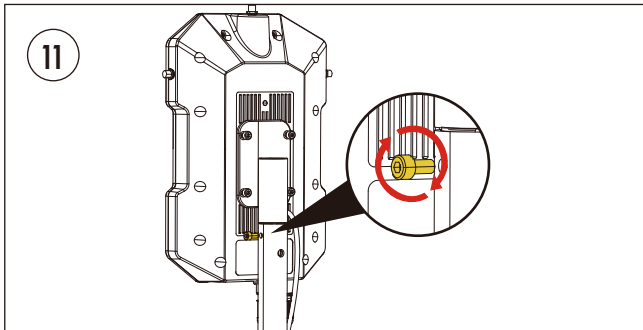
Connect the Ethernet Cable to the WAN port and **tighten** the gland by screwing it in.



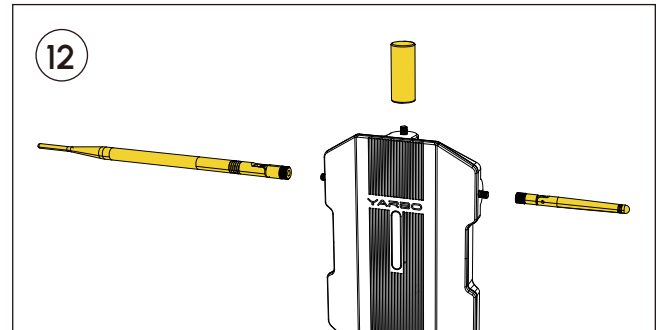
Push the black rubber plug into the gland.



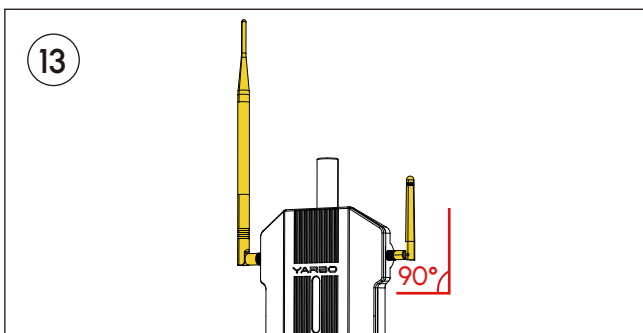
Screw and tighten the cover of the gland.



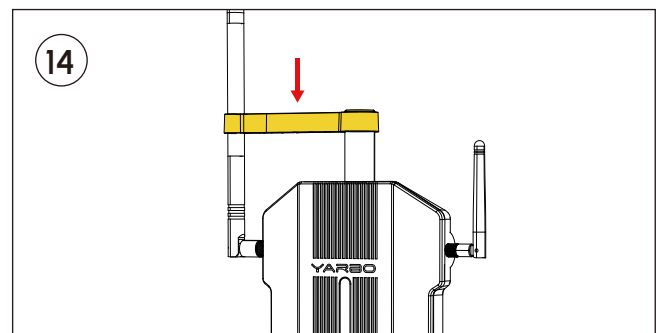
Screw in the connection bolt to fasten the Data Center to the Extension Pole.



Locate the three antennas provided in the Yarbo Core box and attach them as shown and securely **tighten** them.



Position the HaLow Antenna and Bluetooth Antennas at a 90-degree angle, directing them upwards towards the sky.



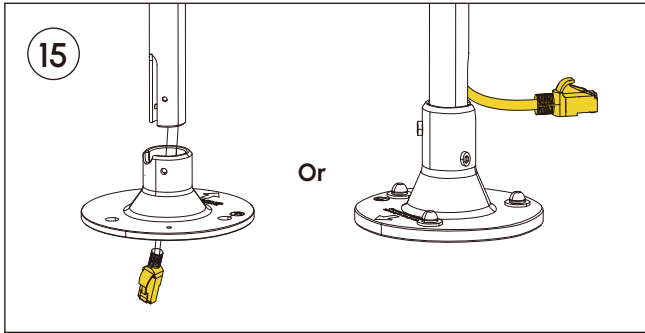
Locate the Wi-Fi HaLow Antenna Stabilizer and **slide** it over both the HaLow Antenna and the RTK Antenna to **secure** them in place.



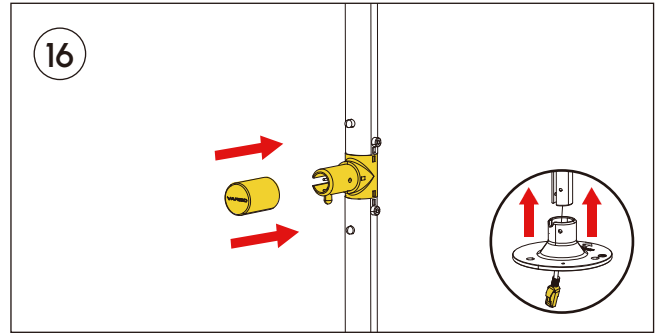
NOTICE

- If it is impossible to drill through the wall or other hard material, the ethernet cable can be dragged out from the side of the mount.

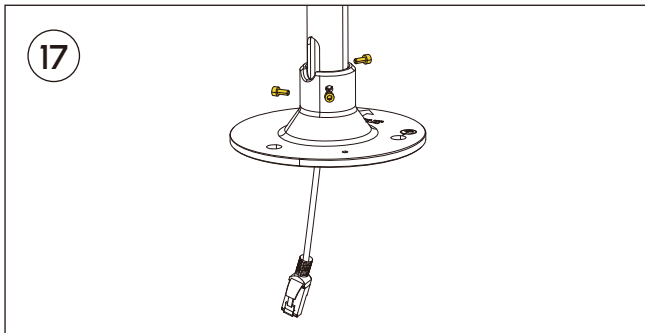
3. Setup Guide



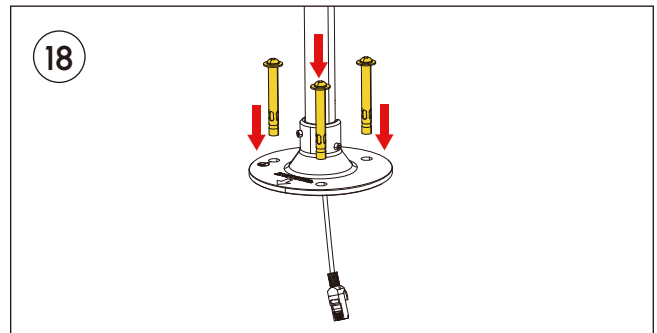
Thread the Ethernet Cable through the middle hole of the mount, or **pull out** the Ethernet Cable through the opening or gap in the pole carefully.



Attach the cap securely to the side of the T-joint.



Screw in three connection bolts for pole to stabilize the mount and Standard Pole.

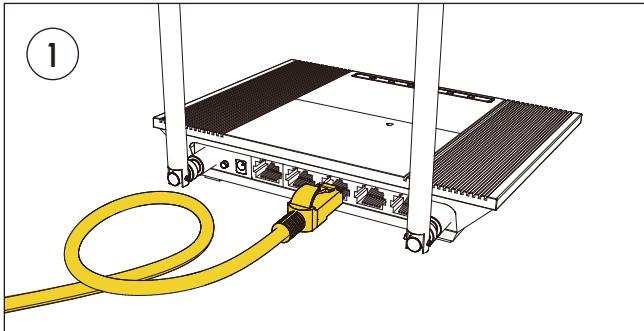


Secure the mount by fastening the three Connection Bolts (**As described above**) needed for your installation surface.

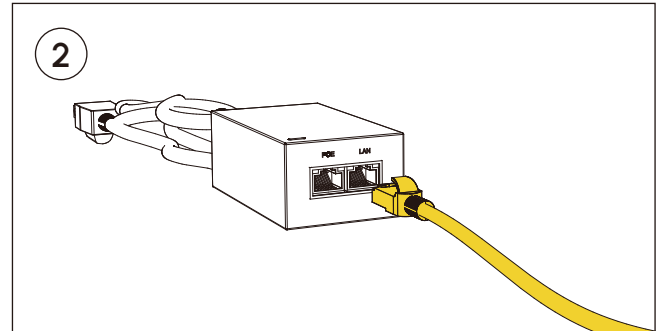
 **WARNING**

- When installing the Data Center Set on the roof, exercise extreme caution. Ensure compliance with local regulations regarding working at heights and always use appropriate safety equipment.

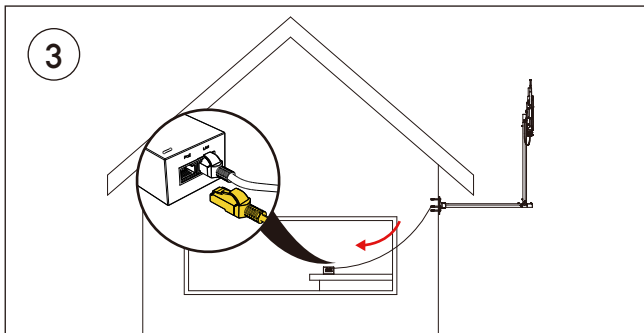
3.2.3 Ethernet Cable Connection



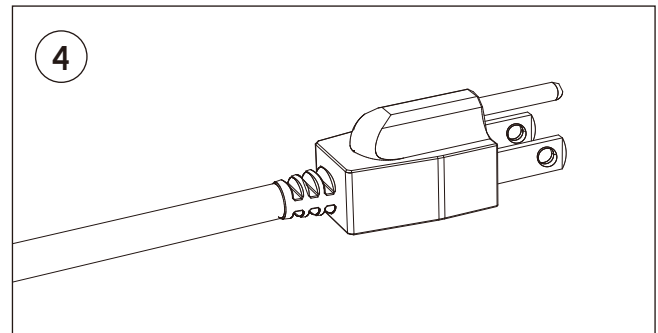
Locate the 2-meter long Ethernet Cable and the POE power adapter provided in the Yarbo Core Box, and **connect** one end of the Ethernet Cable to the LAN port on the router.



Connect the other side of the Ethernet cable to the LAN port of POE power adapter.







Pull out the 30-meter Ethernet Cable that has been fed in from the Data Center setup. Connect one end to the POE port of the POE power adapter. The other end should already be connected to the WAN port of the Data Center.



Connect the power cord to the POE adapter and insert the plug of the power cord into an electrical outlet.

3. Setup Guide

3.2.4 Data Center Signal Lights

LED Indicator	Status	Description	Action
 Solid Green	Normal	1. Normal RTK Signal 2. Normal Internet Connection	/
 Flashing Red	RTK Signal abnormal	1. No RTK Signal	Check cable connection is correct, inspect if RTK antenna is broken or loose
 Flashing Blue	Pairing mode	1. Pairing mode activated	/
 Solid Blue	Pairing successful	1. Pairing is successful	/



NOTICE

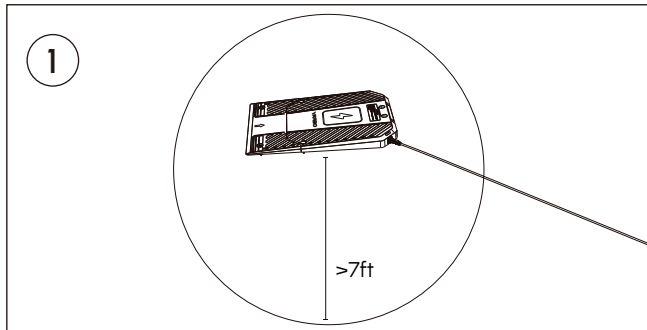
- This appliance can be used by children aged from 8 years and above and persons with reduced physical, sensory or mental capabilities or lack of experience and knowledge if they have been given supervision or instruction concerning use of the appliance in a safe way and understand the hazards involved;
- Children shall not play with the appliance;
- Cleaning and user maintenance shall not be made by children without supervision;



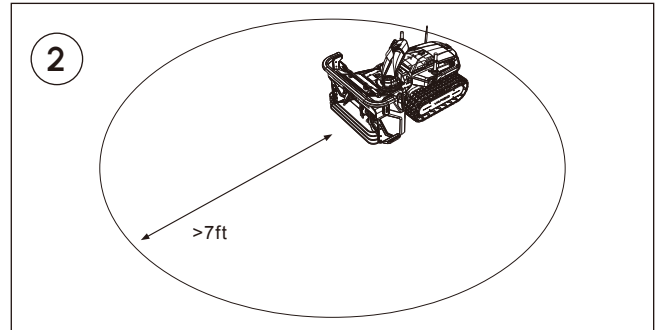
WARNING

- For the purposes of recharging the battery, only use the detachable supply unit provided with this appliance.

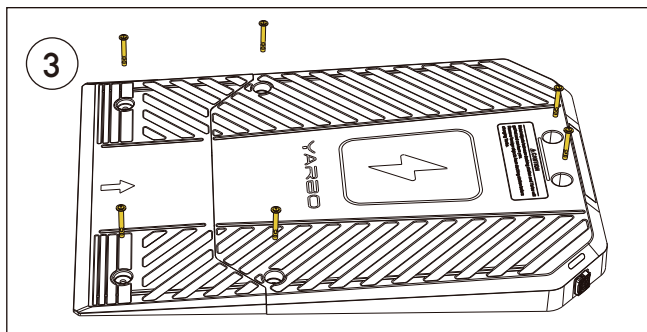
3.3 Installing Docking Station



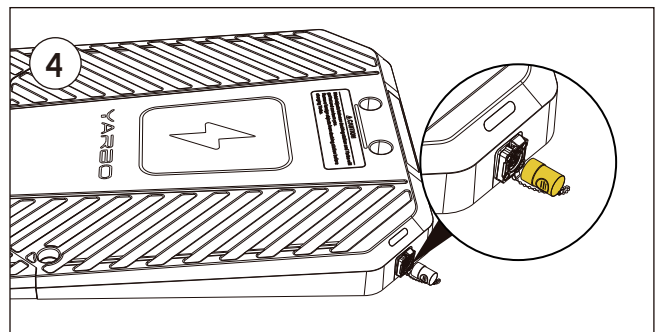
Ensure the installation location for the Docking Station has at least **7 feet** of clearance in all directions. Before proceeding, make sure you have already initialized Yarbo using the Yarbo App.



Drive Yarbo to the desired location for the Docking Station to test if there is strong GPS signal. Once Yarbo reaches a position with a strong GPS and network connection, the app will notify you.

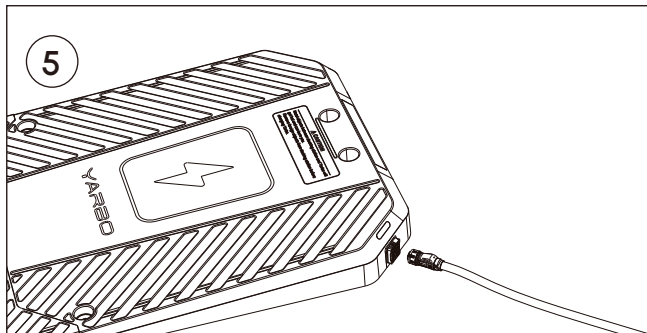


Place the Docking Station in the desired location. Secure the Docking Station by suitable methods. For soil/grass surface, use grass pegs. For concrete/brick surfaces, use expansion bolts. Grass pegs and expansion bolts are provided in the package.

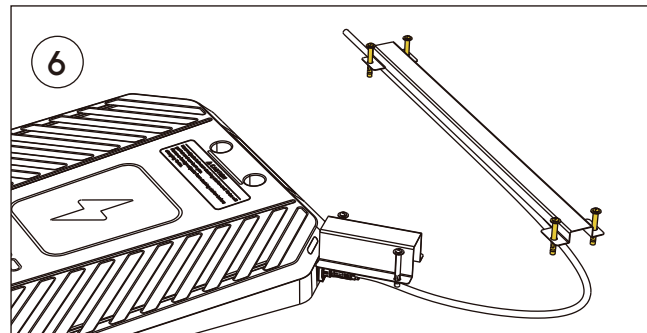


Press the snap and **remove** the cover.

3. Setup Guide



Connect the Power Cable to the port in the docking station.



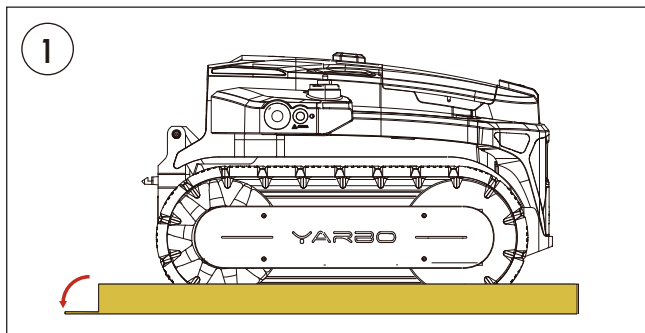
Place the Short Cable Ramp near the port and the Long Cable Ramp on the Power Cable. **Secure** the Cable Ramp by suitable methods.



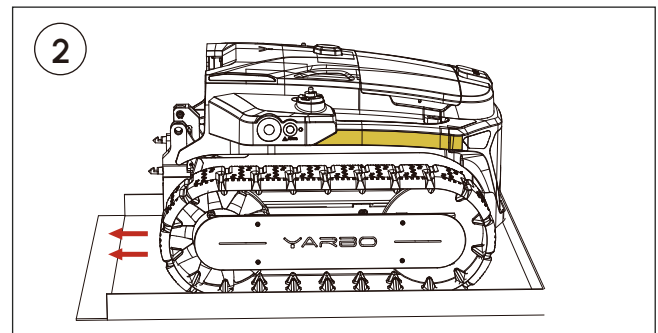
NOTICE

- For safety protection, please correctly install the cable ramps and thoroughly inspect their stability, ensuring that there is no excessive compression or twisting between cable ramps and cables.
- Grass Pegs are recommended for soil or grass surface, and Expansion Bolts are recommended for concrete or brick surface.

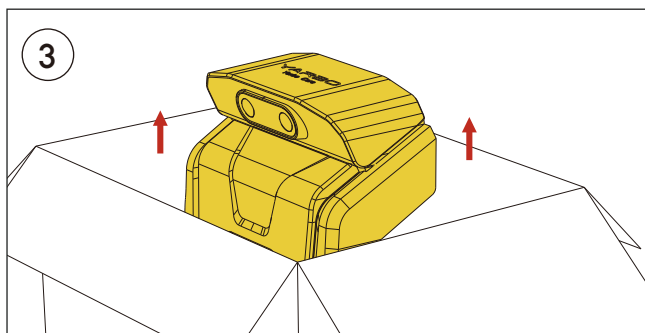
3.4 Installing Yarbo Core



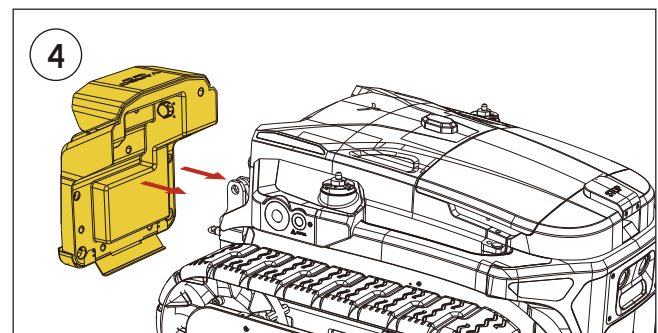
Cut the box along the cutting line on the bottom of the packaging box.



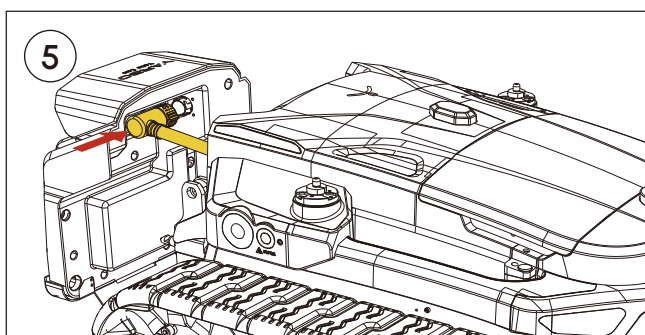
Grasp the lifting handles of the Yarbo Core and **push** the unit out of the packaging box.



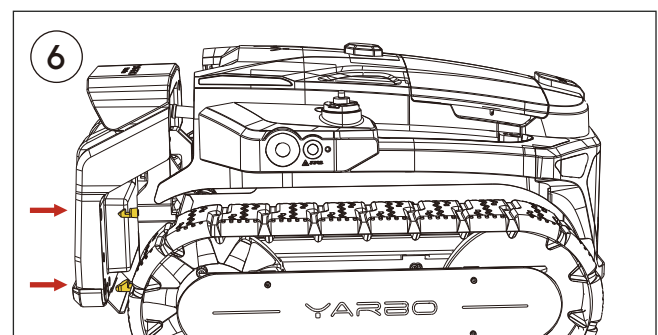
Take the Smart Assist Module out of the box.



Close the Smart Assist Module to your Yarbo Core.

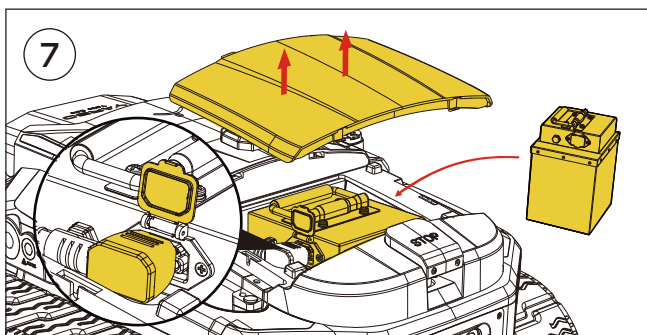


Gently connect the cable from the Smart Assist Module to Yarbo Core and tighten the blue connector.

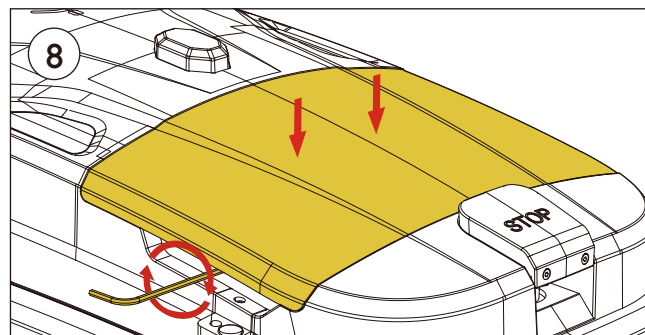


Locate the shafts and holes in the Yarbo Core and Smart Assist Module. Align the Module with the Yarbo Core and gently push it onto the shafts until hearing the click.

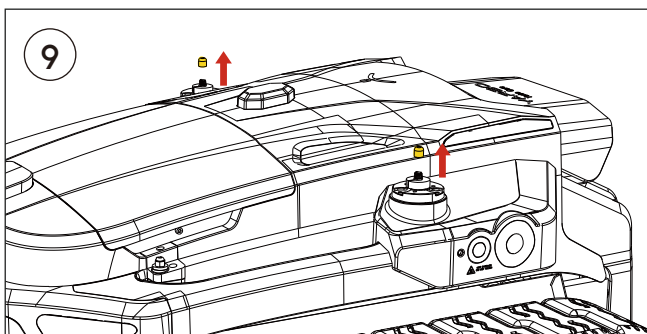
3. Setup Guide



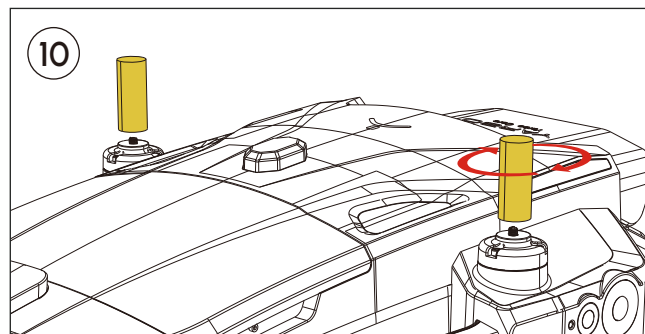
Remove the cover by grasping both sides with your hands and lifting. Place the battery inside the chamber and **connect** the cable from the Yarbo Core to the battery.



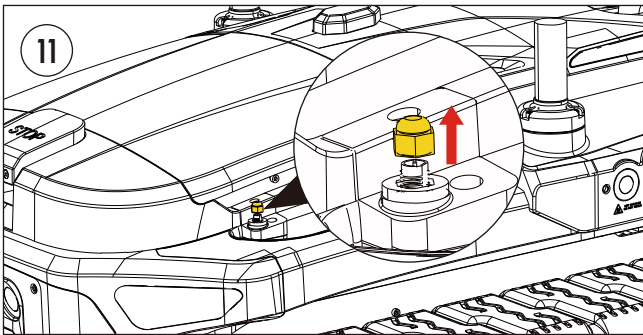
Replace the cover and **screw** the Anti-theft Bolts on both sides using Battery Cover Wrench provided in the package.



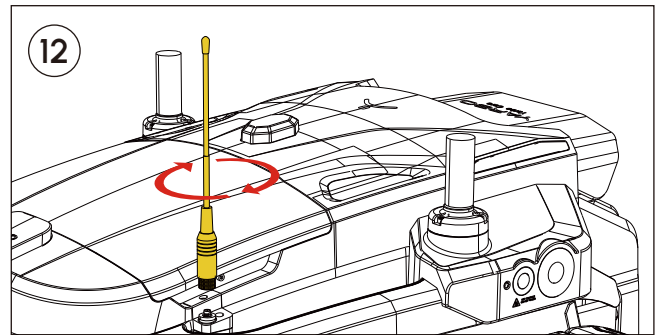
Locate the red screw caps on the RTK Antenna Mounts and **remove** them.



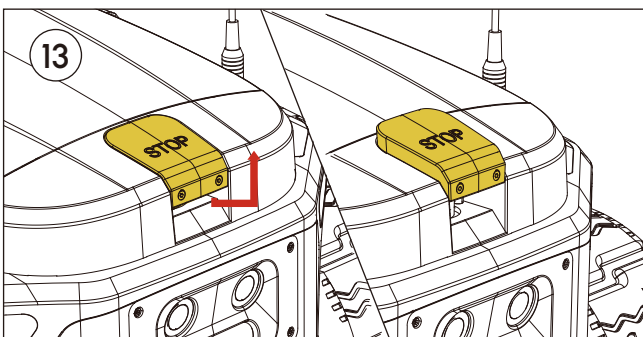
Locate the RTK Antenna for Rover and screw them on the RTK Antenna Mounts.



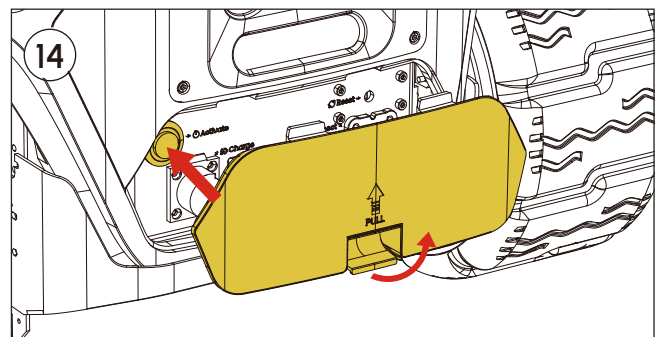
Remove the white screw cap on the HaLow Antenna Mount. Keep the black rubber ring in for waterproofing.



Locate the HaLow Antenna and screw the antenna into the HaLow Antenna Mount until hand tight.



Lift the Emergency Stop Button.



Remove the rear cover. **Press** the activate button to turn on Yarbo. **Place** back the rear cover.